

## « GLASGOW » EXERCICE FLOOR - CARPET VERSION



- ❑ **F.I.G. Approved**
- ❑ Exceptional bounce and comfort
- ❑ Stability is guaranteed by a system of 3 anti-rotation integrated kits
- ❑ With a height of 20 cm, it allows adjustment to landing mats for specialized room.
- ❑ Same height as GYMNOVA landing pits
- ❑ Technical superiority compared to our other FIG with foam cubes
- ❑ Easy and quick to install

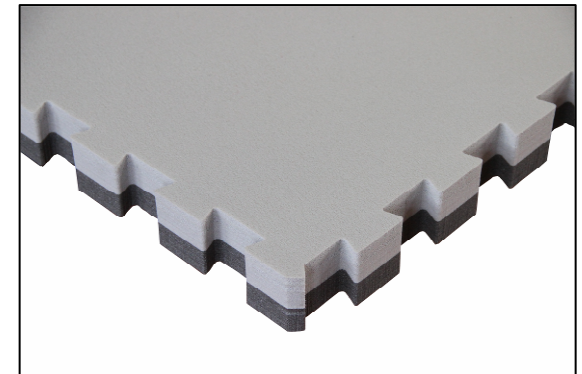
*=> A version with roll-up track Ref. 6576 (FIG approved) is also available.*

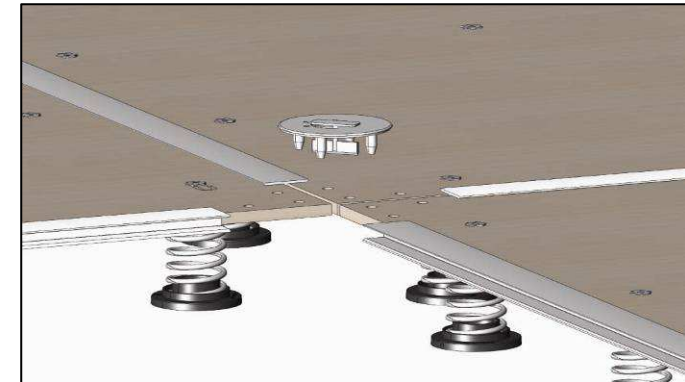
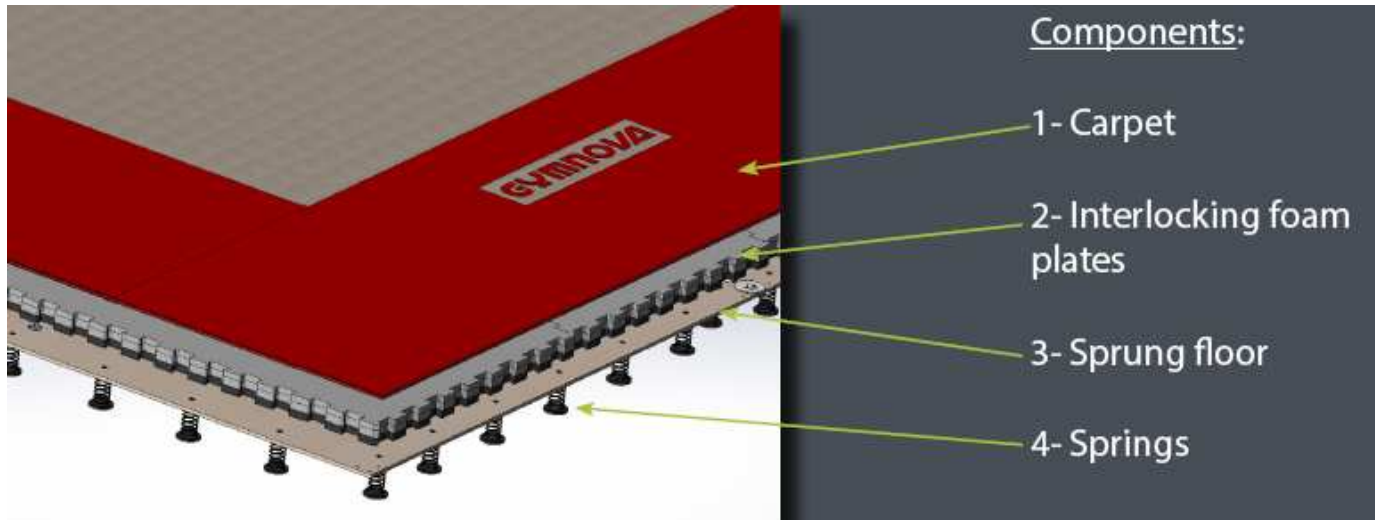
## TECHNICAL FEATURES

- Dim. = 14 x 14 m. Height = 20 cm

### Composition

- **Sprung floor - Ref. 6585** (for Ref. 6575) and **Ref. 6587** (for Ref. 6575/DE)
  - Maximal elasticity during the impacts thanks to the plywood specifically calibrated for a complete restitution of the energy.
  - Dim. = 14 x 14 m. Height = 12,1 cm
- **Carpet 14 x 14 m - Ref. 6380D**
  - Consists of several strips joined together by hook and loop bands which are fixed to the underside of the carpet and therefore invisible.
  - Carpet border with overlapped finish.  
Performance area = 12 x 12 m
- **« Puzzle » shape foam plates of 200 x 100 cm - Ref. 6588**
  - 70 mm layer density foam panels which interlock, and ensure good impact absorption. Easy and quick to install.
- **Dynamic springs**
  - In conjunction with specially selected wood panels they are designed to provide the highest levels of responsiveness.
  - Optimal placement of the springs ensures a consistent rebound across the entire floor area.





### Joining system

The uniformity of the floor is guaranteed by the GYMNOVA joining system making assembly and dismantling quick and easy. No tools required.

### The floor comprises 3 layers:

- **Base layer:** A sustainably sourced plywood base layer mounted on over 2000 optimally positioned springs to provide a consistent response.
- **Intermediate layer:** High density interlocking foam panels increasing levels of comfort and shock absorption.
- **Performance layer:** Evolution carpet consists of several strips joined together by hook and loop bands which are fixed to the underside of the carpet and therefore invisible.