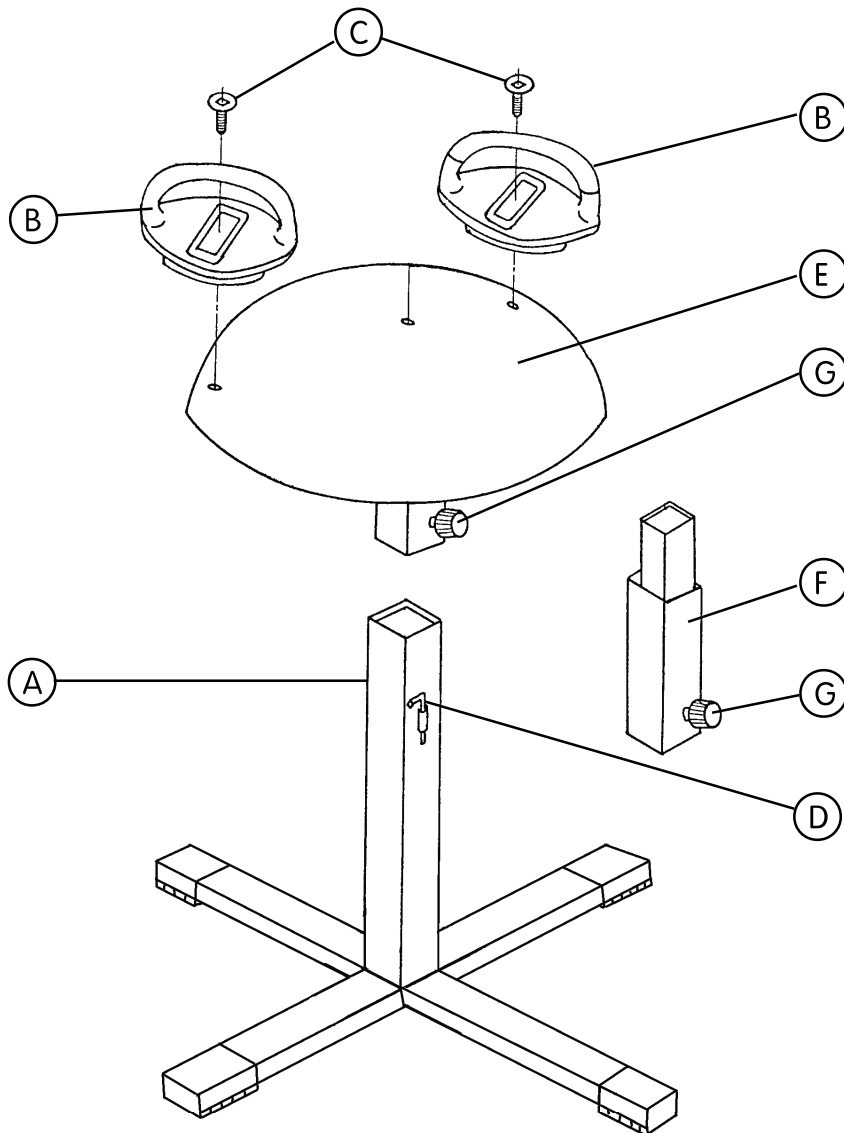


MUSHROOM

3580

**I - COMPOSITION (2 or 3 parcels if option)**

- 1 Support (A)
- 1 Hexagonal spanner (D) } 1 parcel
- 1 Mushroom (E)
- 2 Wooden pommels (B) } 1 parcel
- 2 Tightening screws M 12 HC (C)
- 1 Raising piece (F) (Option) } 1 parcel

III - ASSEMBLY OF THE MUSHROOM

- Place 1 or 2 pommels (B) at your own convenience onto the mushroom (E).
- Fix the pommels (B) with the tightening screws (C) thanks to the spanner (D), and put it back in its initial place not to lose it.

III-FINAL ASSEMBLY

- Insert the support (A) into the mushroom (E) and block it with the spanner (G).
- Note that there is possibility to place a raising piece (F) in option between the support (A) and the mushroom (E). Block it then with the 2 spanners (G).