

(UK) Assembly Instructions



Thank you for buying this product O'jump. We advise you to read the assembly instructions carefully. The apparatus is presented in pre-assembled parts for a simplified assembly. We have designed this O'jump product to bring you complete satisfaction. If you need help, the O'jump team is at your disposal to accompany you.

 +33 (0)4 91 87 51 20
 +33 (0)4 91 93 86 89
 info@ojump.com

www.ojump.com



Warning:

This equipment must only be used by one person at a time and under the supervision of a qualified individual, with appropriate landing mats.
Using this equipment for purposes other than those originally intended is prohibited.



Recommendations:

- keep these instructions for subsequent reference (inspection, maintenance, etc.).
- periodically carry out predictive maintenance.
- depending on how much it is used, have the equipment serviced yearly or every few years.

Footprint and weight:

- Apparatus 212x32x27 cm (LxIxh)
- 13Kg



Hardware listing (pre-assembled)

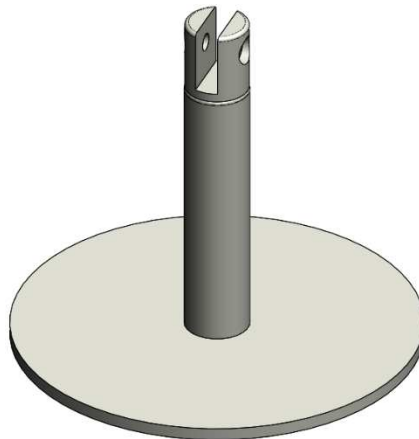
X2



Indexing pin

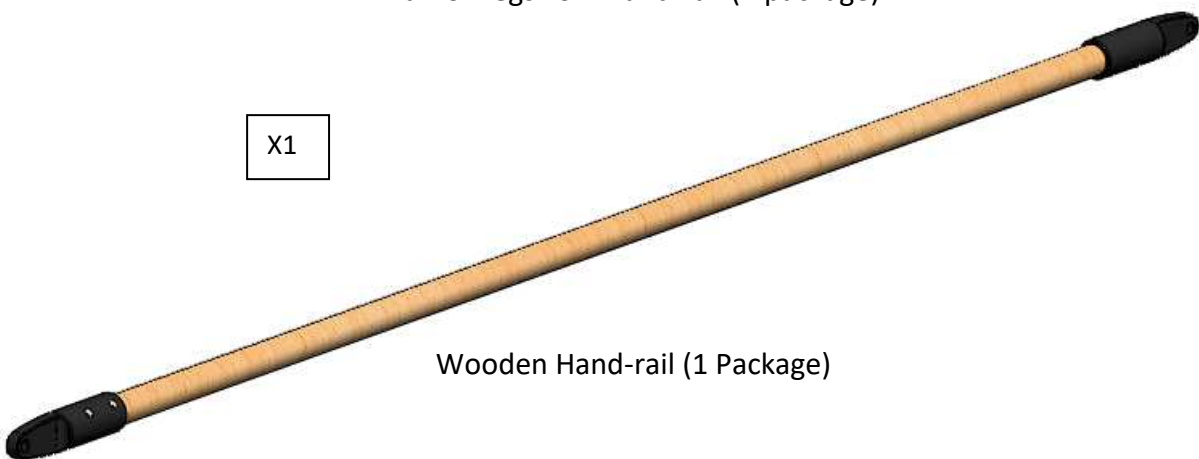
List of parts (pre-assembled)

X2



Pair of Legs Low Hand-rail (1 package)

X1



Wooden Hand-rail (1 Package)

To insert the indexing pin, press the blue button to release the ball.

