

# SETS OF 2, 4, 6 AND 16 ANCHORS & 4 ATP ATTACHMENTS WITH COLLARS

**2020 - 2004**  
**2006 - 2016**  
**3415/14**

### Type of anchor:

The maximum working load (MWL) of this anchor is 800 daN.

It is if the omnidirectional type, so it can be used in any direction.

It is designed for bracing exercise equipment and anchoring certain public sports equipment to the ground (check the loads imparted to the anchor with the equipment manufacturer).

### Warning:

**This equipment must be installed by a qualified person in a base material in accordance with CC77.**

**In view of the risks associated with the implementation of these safety elements, a Gymnova self-checking procedure (PT24) in accordance with the standard NF S52-400, is necessary to meet their compliance.**

**The sets of sockets must not be supplied without sealing. Sealing is sold separately of apparatus\*.**

Using this equipment for purposes other than those originally intended is forbidden.

### Compliance:

This anchor bolt complies with the requirements of French Standard NF S52-400: "Games equipment - Attachment points - Operating and safety requirements" if it is installed in a base material equivalent to **CC77**.

### Recommendations:

As set out in French Standard NF S52-400 the following is recommended:

- keep these instructions for subsequent reference (inspection, maintenance, etc.).
- periodically carry out predictive maintenance.
- depending on how much it is used, have the equipment serviced yearly or every few years.

### Specific requirements in respect of base materials: (section 6 of standard NF S52-400)

"The base material must be capable of holding the attachment points and absorbing loads imparted by sports equipment. Attachment points must not adversely affect the integrity of the base material (watertightness, strength, etc.). Only the owner of and/or the contractor for the base material is qualified to authorize the attachment points to be installed and tests to be carried out considering their type and the loads imparted.

The owner and/or contractor must place the design, sizing and installation of the following in the hands of a professionally qualified service provider (carpenter, architect, building contractor, design office, etc.):

- base material attachment points
- foundations
- any additional reinforcing for the base material structure.

The sports equipment manufacturer must provide the base material owner and/or contractor with the following: the loads and stresses to be allowed for at the attachment points between their equipment and the base material relative to the loads, as well as they type and specifications of the proposed attachment points.

It is up to the contractor to make the background appropriate for the attachment points in accordance with their locations and the loads provided by the sports equipment manufacturer». Please refer to **CC77**.

### Packaging:

Packages	2020/00	2004/00	2006/00	2016/00	2006/10	963/35	No. of Packages
Ref.	Set of 2 Anchor shoes + collars + fasteners	Set of 4 Anchor shoes + collars + fasteners	Set of 6 Anchor shoes + collars + fasteners	Set of 16 Anchor shoes + collars + fasteners	Bedding cartridge, 150 ml (+ Nozzle + Extension)	Bedding cartridge, 380ml (+ Nozzle + Extension)	
2020 - Set of 2 anchors	1	-	-	-	1	-	2
2004 - Set of 4 anchors	-	1	-	-	1	-	2
2006 - Set of 6 anchors	-	-	1	-	1	-	2
2016 - Set of 16 anchors	-	-	-	1	-	1	2
Volume (m <sup>3</sup> )	0,0019	0,0021	0,0019	0,0120	0,003	0,0033	X
Weight (kg)	0,74	1,36	2,03	5,70	0,44	0,81	
Dimensions (mm)	160 x 110 x 110	170 x 110 x 110	160 x 110 x 110	300 x 200 x 200	300 x 100 x 100	300 x 100 x 110	

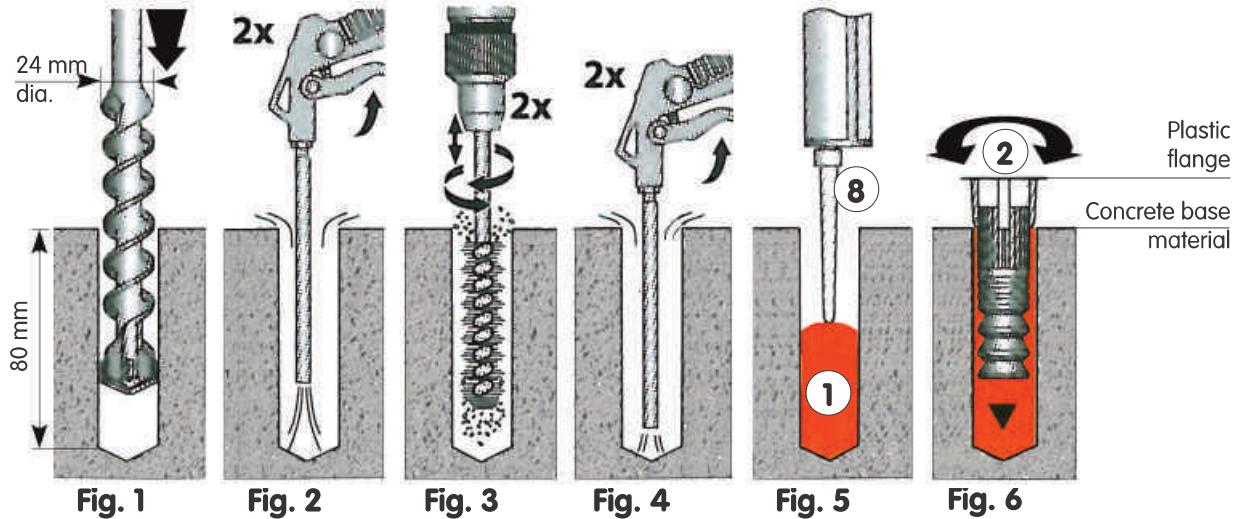
Packages	2020/00	2004/00	3415/14	2006/10*
Ref.	Set of 2 Anchor shoes + collars + fasteners	Set of 4 Anchor shoes + collars + fasteners	Set of 4 attachments (without bedding)	Bedding cartridge, 150 ml (+ Nozzle + Extension)
2700F - Apparatus access platform	-	-	1	1
2710E - Pit Edge Pivoting Apparatus access platform	1	-	1	1
2730 - Pit Edge Apparatus access platform on fixed support	-	-	1	1
3415F - Pit Edge Vaulting Table on central foot	-	-	1	1
3497B & 3498C - Push-off & Vaulting Table between Trampoline & Pit	-	-	1	1
5352D & 5357D - Built-in Trampolines with Pit junction	-	-	1	1
5380D & 5382D & 5384D - Built-in Acrotramps with Pit junction	-	-	1	1
3427C - Folding Pit Edge Floor Vaulting Table	-	-	1	1
3931D - Pivoting Pit Edge Parallel Bars	-	1	2	2
3930 - Pit Edge Parallel Bars on fixed support	-	-	1	1
Volume (m <sup>3</sup> )	0,0019	0,0021	0,0019	0,003
Masse (kg)	0,74	1,36	1	0,44
Dimensions (mm)	160 x 110 x 110	170 x 110 x 110	160 x 110 x 110	300 x 100 x 100

KEEP THIS DOCUMENT



## I. Assembly instructions:

- 1) Using a drill set to percussion mode, drill a 24 mm dia. by 80 mm deep hole (see Fig. 1).
- 2) Remove dust with a blower or pressurized water (see Fig. 2).
- 3) Carefully brush the hole walls with a metal bottle brush (see Fig. 3).
- 4) Vacuum or blow out the drilling residue going down to the bottom of the hole (see Fig. 4).
- 5) **Important**: discard the start of each new cartridge, before fixing the mixer nozzle (8), until the 2 constituents appear (White hardener + Grey resin).
- 6) Fix the provided specific nozzle (8) and inject the chemical bedding (1) starting from the bottom of the hole, going up gradually until approximately 50% of the hole is filled, as shown in Fig. 5.
- 7) Insert collar (2) immediately by hand (see table Fig. 7 for working time), using a back and forth movement, until the plastic flange is just proud of the concrete base material (see Fig. 6). Remove surplus resin (1) protruding from the flange as necessary.



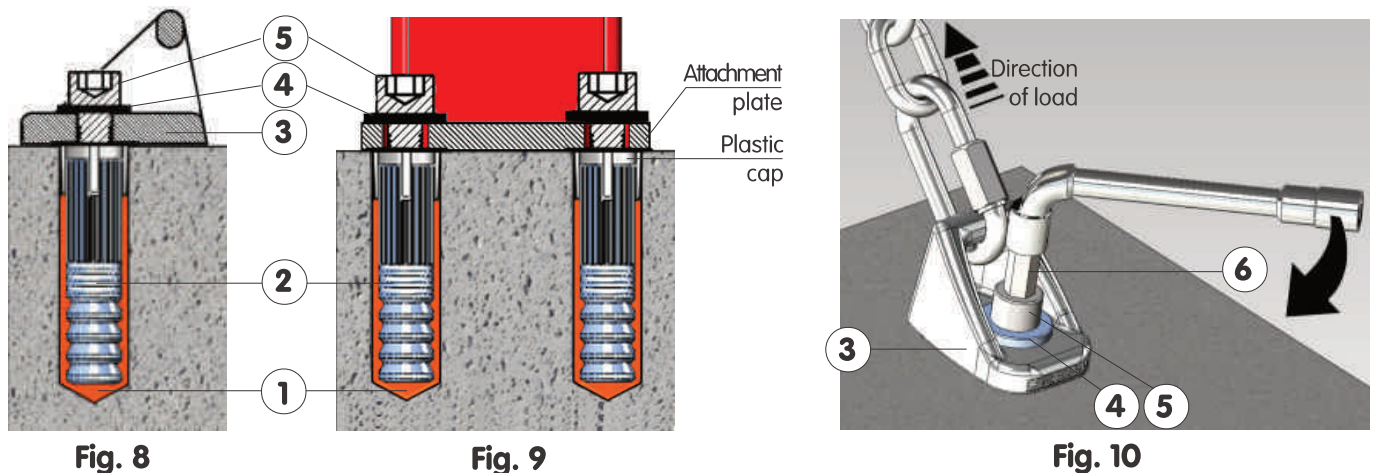
- 8) Wait the requisite curing time (minimum drying time), during which the attachment must not be touched (as shown in table Fig. 7).

Working and curing time			
Ambient temperature (°C)	Working time	Curing time	
		Dry concrete	Damp concrete
40°C	1 min	30 min	60 min
30°C	3 min	35 min	1 hour 10 min
20°C	6 min	40 min	1 hour 20 min
10°C	11 min	60 min	2 hours
0°C	22 min	3 hours 30 min	7 hours

Note: minimum installation temperature: -5°C

Fig. 7

- 9) Place a visible sign on the attachment components while curing is underway.
- 10) Insert screw (5) through the thrust washer (4), the anchor shoe (3) or the securing plate for the apparatus, then the plastic cap for the anchor plug (2) (as shown in Fig. 8 or Fig. 9).
- 11) Then fit the hexagonal end-piece (6) supplied in a size "10" torque wrench in order to finally tighten the anchor to 70 Nm. For bracing check beforehand that the shoe is aligned correctly with the direction of the load (see Fig. 10).

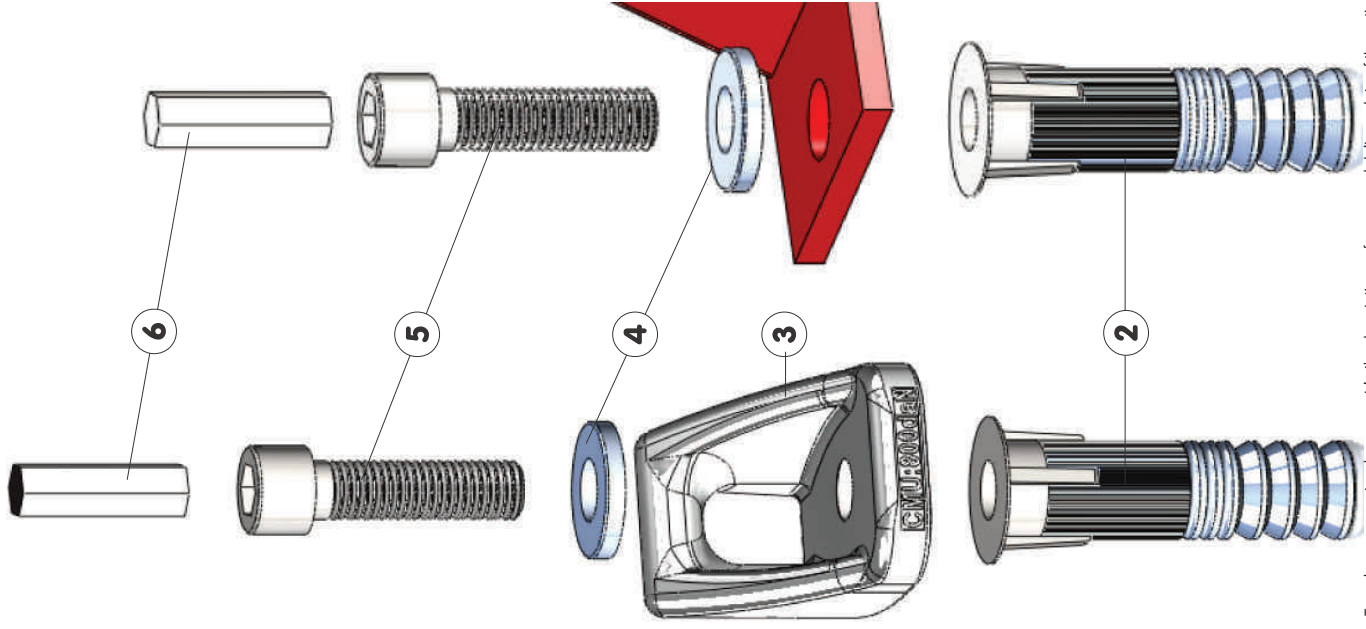


## II. Maintenance:

Anchors should be regularly cleaned: vacuum out the dust and magnesium build-up, remove stagnant water. There is no need for lubrication. While an anchor is not being used, it is highly advisable to cap it off using the black set screw (7) supplied.

## III. Inspection and checking:

Depending on how much they are used, anchors should be checked by a competent person yearly or every few years in accordance with French standard NF S 52-400.



Quantities are specified for one anchor bolt

ITEM	QTY	DESCRIPTION	REFERENCE	REMARKS
29	-	-	-	-
28	-	-	-	-
27	-	-	-	-
26	-	-	-	-
25	-	-	-	-
24	-	-	-	-
23	-	-	-	-
22	-	-	-	-
21	-	-	-	-
20	-	-	-	-
19	-	-	-	-
18	-	-	-	-
17	-	-	-	-
16	-	-	-	-
15	-	-	-	-
14	-	-	-	-
13	-	-	-	-
12	-	-	-	-
11	-	-	-	-
10	-	-	-	-
9	-	-	-	-
8	1	EPOMAX mixer nozzle	963/21	each
7	1	Hex socket setscrew, M12 x 16 burnished	VHC012016N	each
6	1	Hex end-piece, 10 mm	2005/02	each
5	1	Hex socket cap screw, M12 x 45 EF Dacromet	VCHC1245EF	each
4	1	Flat washer, M12 x 28, 4 thick	VRP122804Z	each
3	1	Aluminum anchor shoe, M13	2006/21	each
2	1	ATP collar, M12 x 75	QCHATP1275	each
1	1	Bedding cartridge 380 ml	963/35	each
1	1	Bedding cartridge 150 ml	2006/10	each

**Gymnova**  
 RUE GASTON DE FLOTTE  
 13012 MARSEILLE  
 Tél. : 33.(0).4.91.87.51.20  
 Fax : 33.(0).4.91.93.86.89

**SETS OF 2, 4, 6 AND 16 ANCHORS & 4 ATP ATTACHMENTS WITH COLLARS**

To order spare parts, please provide the description, reference and delivery date of the entire apparatus.