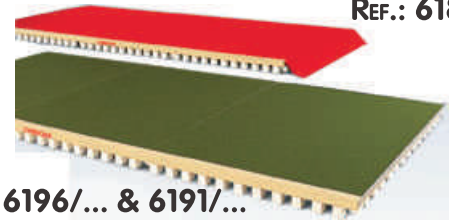


ACROBATIC TRACKS**6180A - 6186**
6191 - 6196**KEEP THIS DOCUMENT**

REF.: 6180A



REF.: 6186/...



REF.: 6196/... & 6191/...

Warning:

This equipment should be installed by a qualified individual.

This apparatus should be used by only one person at a time, supervised by a qualified individual and with appropriate landing mats or a landing pit.

Using this equipment for purposes other than those originally intended is not allowed.

Failure to comply with storage instructions poses a risk of irreversibly damaging the foam blocks and hence the resilience of the floor, for which GYMNOVA cannot be held liable and which will void warranty.

Recommendations:

As shown in French Standard NF S 52-400 the following is recommended:

- keep these instructions for subsequent reference (inspection, maintenance, etc.).
- periodically carry out predictive maintenance.
- depending on how much it is used have the equipment serviced yearly or every few years.

Always store the equipment away from moisture and heat.

Frequent short-term storage of floor:

It is strongly recommended that the panels be stored **fully vertically** in alternate staggered formation, such that the blocks nest with those on the mat facing.

Extended storage of floor:

It is imperative that the panels be stacked **horizontally** in alternate staggered formation, with the blocks nesting with those on the mat facing, **reusing the spacers** supplied on delivery. Do not stack panels more than 6 high and do not store anything on top of them.

Packaging of 14 x 2m (45.9 x 6.56 ft) - 14cm (5.5 in) thick track (Ref.: 6180A):

- Floor length 13.50m (44.3 ft): 1 pallet (Ref. 6196N2E07M) - Weight: 639 lb - Size: 6.56 x 4.92 x 2.3ft - Volume: 74 ft³
 - 9 panels (7 center and 2 end).
 - 8 H-sections Length: 5.9 ft (Ref.: 659/05) + 16 lockable link pads (Ref.: 660/14)

- Roll-up track 14 x 2 x 0.04 m (45.9x6.56x0.13 ft): 1 pack (Ref.: 6160A) - Weight: 123.5lb - Size: 6.5x3.3x3.3m - Vol.: 70.63 ft³

- Pair of flaps length 13.50 m (44.3 ft): 1 pack (Ref. 618/31350) - Weight: 11 lb - Size: 1.15 x 0.82 x 0.49m - Volume: 0.46 ft³

- Floor Anti-rotation Kit - set of 4 cables (ref.: 6529D): Weight: 3.5 kg - Size: 100 x 305 x 345 mm - Volume: 0,01 m³

Packaging of tracks 2m (6.56ft) wide - 14.5cm (5.7 in) thick - Lengths of 1.50 to 30m (Ref.: 6186/...):

- Floor to length of: 1 pallet (Ref.: 6196N_E__M) - Size on floor: 2 x 1.50m (6.56 x 4.92 ft)
 - panels (Middle and End).
 - H-sections Length: 5.9 ft (Ref.: 659/05) + 16 lockable link pads (Ref.: 660/14)

- Foam track to length, 4cm (1.575 in) thick: 1 pack (Ref.: 618/5__ __)

- Carpet to length, 5mm (0.197 in) thick: 1 pack (Ref.: 618/6__ __)

- Pair of flaps to length: 1 pack (Ref.: 618/3__ __)

- Floors Anti-rotation Kit: 2 or 4 cables in accordance with the length of the track (Track < 14m -> 2 cables & ≥ 14m -> 4 cables).

- Track Joint 2m (6.56 ft) / Pit (optional): 1 pack (Ref.: 6192A) - Weight: 6.61 lb - Size: 6.56 x 0.98 x 0.49m - Volume: 3.18 ft³

Packaging of tracks 2m (6.56ft) wide - 15.5cm (6.1 in) thick - Lengths of 1.50 to 30m (Ref.: 6196/...):

- Floor to length: 1 pallet (Ref.: 6196N_E__M) - Size on floor: 2 x 1.50m (6.56 x 4.92 ft)
 - panels (Middle and End).
 - H-sections Length: 5.9 ft (Ref.: 659/05) + 16 lockable link pads (Ref.: 660/14)

- Multipurpose mat 6.56 x 4.92 ft 2.16 in thick: Number of packs (Ref.: 6040) depending on length (multiple of 4.92 ft)

- Pair of flaps to length: 1 pack (Ref.: 618/3__ __)

- Floors Anti-rotation Kit: 2 or 4 cables in accordance with the length of the track (Track < 14m -> 2 cables & ≥ 14m -> 4 cables).

Packaging of tracks 1,5m (4.92ft) wide - 15.5cm (6.1 in) thick - Lengths of 2 to 30m (Ref.: 6191/...):

- Floor to length: 1 pallet (Ref.: 6191N_E__M) - Size on floor: 2 x 1.50m (6.56 x 4.92 ft)
 - panels (Middle and End).
 - H-sections Length: 4.26 ft (Ref.: 659/06) + 16 lockable link pads (Ref.: 660/14)

- Multipurpose mat 6.56 x 4.92 ft 2.16 in thick: Number of packs (Ref.: 6040) depending on length (multiple of 6.56 ft)

- Pair of flaps to length: 1 pack (Ref.: 618/3__ __)

- Floors Anti-rotation Kit: 2 or 4 cables in accordance with the length of the track (Track < 14m -> 2 cables & ≥ 14m -> 4 cables).

Packaging of 2 floors Anti-Rotation Kits :

- Floor Anti-rotation Kit - set of 2 cables (ref.: 6528C): Weight: 1.6 kg - Size: 140 x 150 x 180 mm - Volume: 0,004 m³

- Floor Anti-rotation Kit - set of 4 cables (ref.: 6529D): Weight: 3.5 kg - Size: 100 x 305 x 345 mm - Volume: 0,01 m³

Constantly aiming to improve our products, we reserve the right to make changes to the equipment and dimensions without further discussion.

I. Typical make-up of the various tracks:

1 - Floor (all tracks) (see Fig. 1):

- End Panels (1): identical start and finish panels.
- Mid panels (2): identical intermediate panels.
- Linking H-sections (3) (Length: 1,800) + link pads (4).

2 - Shock-absorbing surface:

- Roll-up track (5) (for track Ref.: 6180A).
- "Concertina" foam track (6) + Carpet (7)
(for tracks Ref.: 6186/...).
- Multipurpose carpet with Velcro link (8) (for tracks Ref.: 6196/... & 6191/...).

3 - Pair of Velcro linking flaps (all tracks):

Secures the shock-absorbing surface to the floor.

4 - Floor Anti-rotation Kit (all tracks):

refer to directions in instructions NM206.

5 - Track / Pit Link (optional for specific tracks): refer to directions in instructions NM203.

II. Assembling the floor (minimum of two people required):

Note: prepare a clean area to assemble and set up the track.

Important: when unpacking the floor, **remove the timber spacers** and retain them for subsequent storage.

- 1 - Place the first end panel (1) on the floor, positioning the reinforcing blocks as shown in Figs. 1 & 2.
- 2 - Engage a link section (3) centered on the first end panel (1) (as shown in Fig. 1).
- 3 - Engage a Mid panel (2) centered in the link section (3) (as shown in Fig. 2).
- 4 - Insert then lock a link plate (4) either side of section (3) to join the 2 panels.
- 5 - Repeat the previous steps until second last Mid panel (2), then fit the last end panel (1) aligning the reinforcing blocks towards the end of the track.
- 6 - Set up the 2 or 4 stopper cables which make up the Anti-Rotation Kit, under end panels (1) and Mid panel (2), with NM206 assembly instructions (supplied in package ref.: 6529D).

III. Assembling the shock-absorbing surface (minimum of two people required):

1 - For track Ref.: 6180A:

Unroll the roll-up track (5) in line with the floor.
Note: allow it to rest until it becomes flat again.

2 - For track Ref.: 6186/...:

- Unfold the "Concertina" foam track (6) (white side in view) in line with the floor (as shown in Fig. 3).
- Unroll the carpet (7) in line with the Foam track (6).

3 - For tracks Ref.: 6196/... & 6191/...:

Lay the Multipurpose carpets (8) in line with the floor, positioning them according to the width (4.9 or 6.56ft) of the track (as shown in Fig. 4).

IV. Fitting linking flaps (as shown in Fig. 5, 6, 7 & 8):

- 1 - Start by hooking each linking flap (9) under the floor, lining it up against the side reinforcing blocks.
- 2 - The fold each Velcro strip (9) over the top of the track, in order to hold it all together.

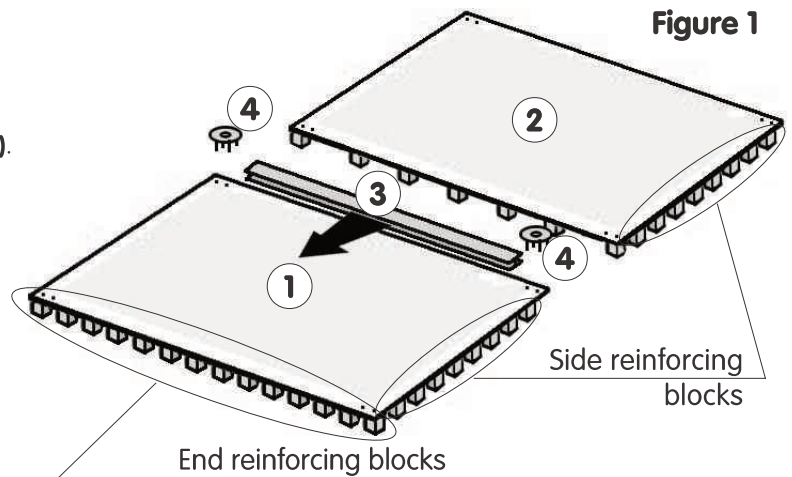


Figure 1

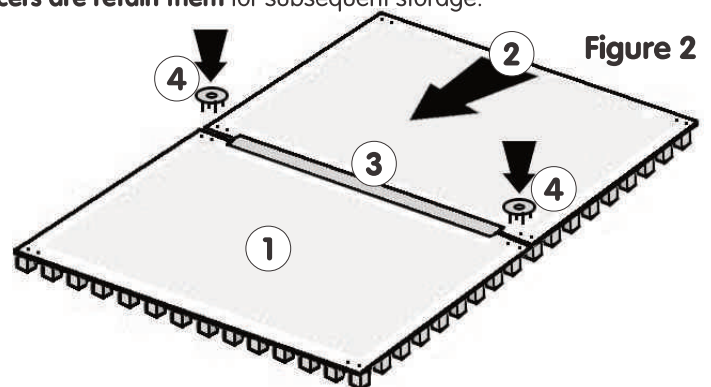


Figure 2

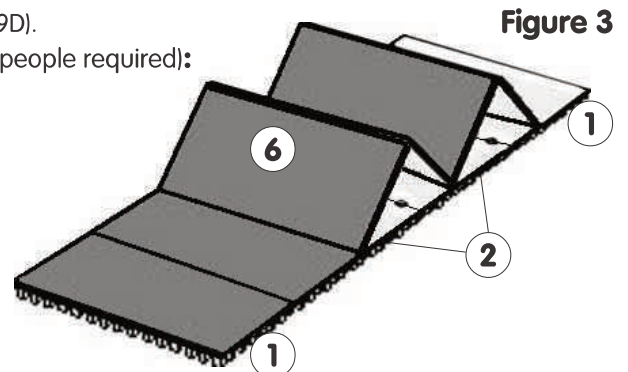


Figure 3

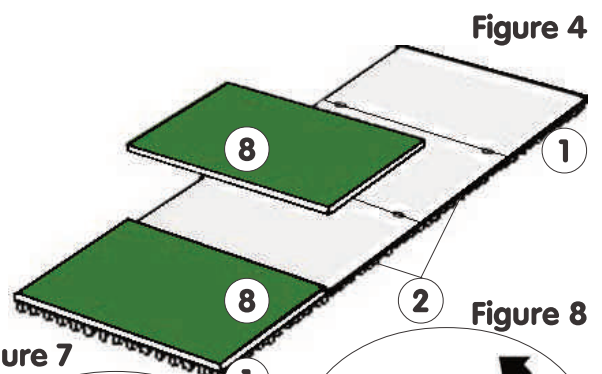


Figure 4

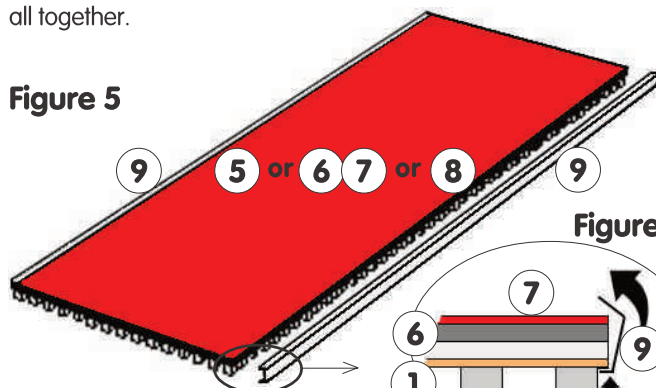


Figure 5

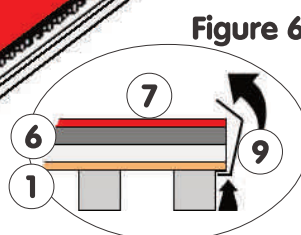


Figure 6

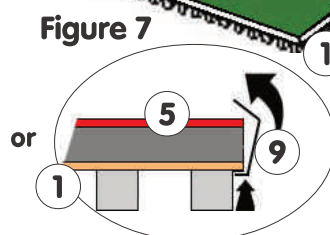


Figure 7

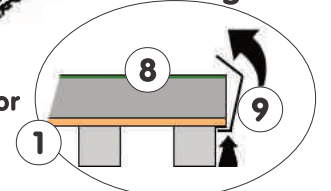


Figure 8

V. Maintenance:

- If a problem is found or suspected, do not use the equipment until it has been checked by a technician.
- Any damaged or distorted component should be replaced as soon as possible.