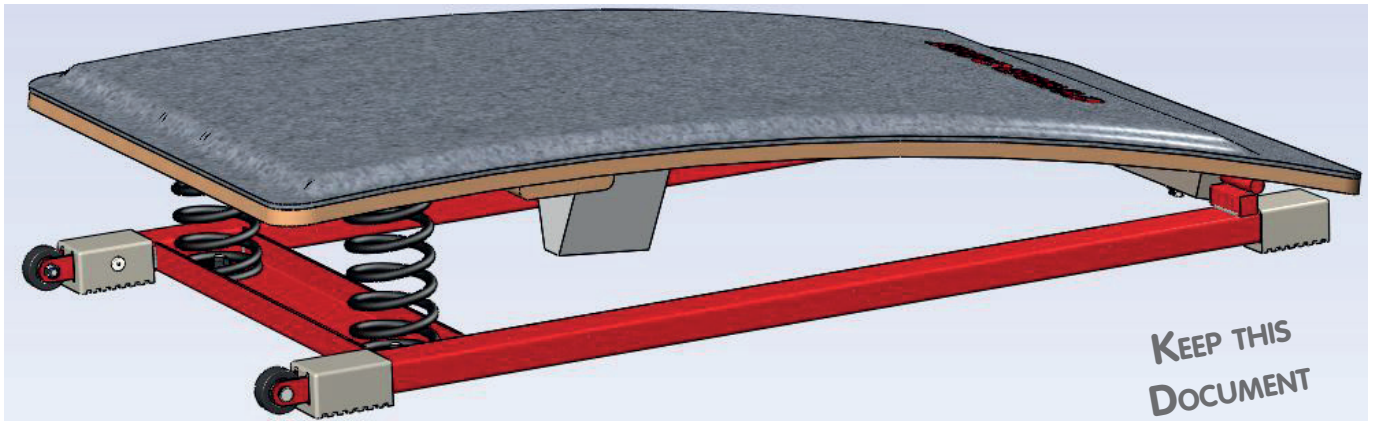


TRAINING SPRINGBOARD - 23 CM

2190B



KEEP THIS DOCUMENT

Warning:

This equipment should be installed by a qualified individual. This equipment should only be used by one person at a time, under the supervision of a qualified individual.

Using this equipment for purposes other than those originally intended is prohibited.

Recommendations:

- Keep these instructions for subsequent reference (inspection, maintenance, etc.).
- Periodically carry out predictive maintenance.
- Depending on how much it is used have the equipment serviced yearly or every few years.

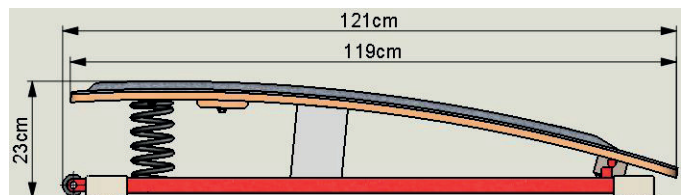
Pack list and bulkiness of the springboard:

- 1 Pack (Ref. 2190B) - Weight : 27.3Kg - Dim.: 1.34 x 0,61 x 0,27m - Vol. : 0,22 m3

Top view



Side view



Tools required:

- No. 6 Allen Key
- Plastic mesh
- Phillips screwdriver
- 1 open end spanner no 13
- 1 tube spanner no. 13
- 1 open end spanner no 10
- 1 tube spanner no. 10
- Marker felt
- Plastic spatula
- Abrasive paper Fine grain

I. General maintenance:



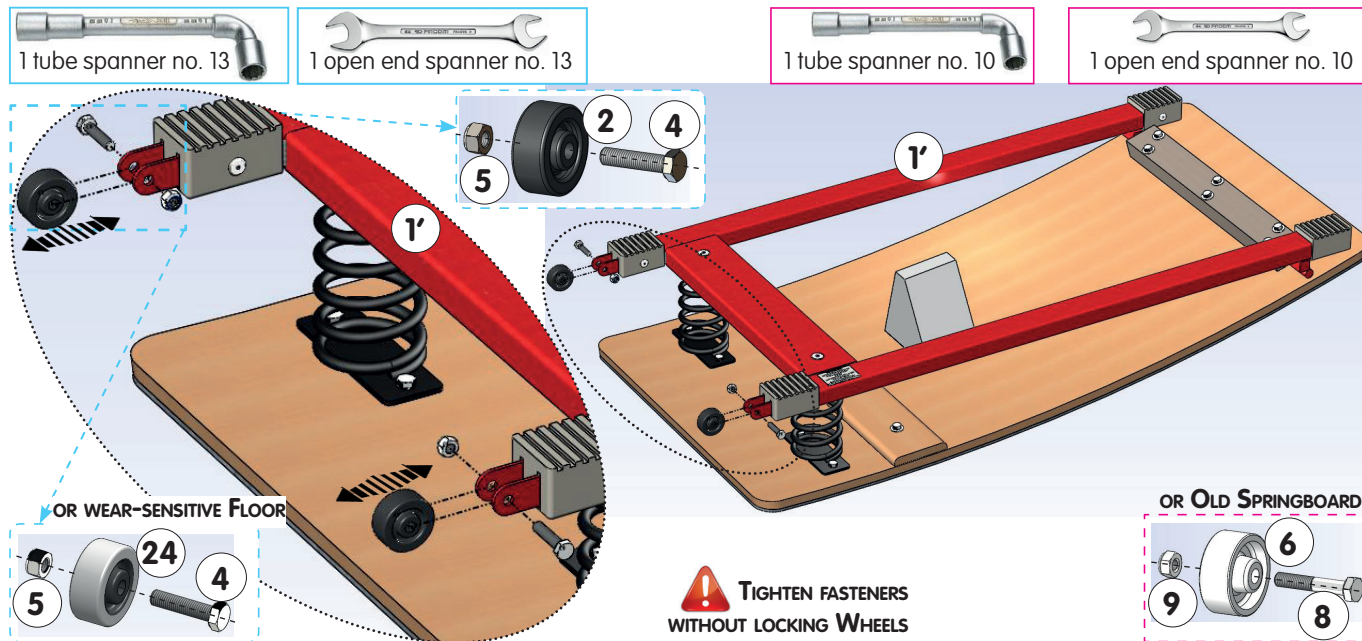
IMPORTANT :

Regular cleaning of the apparatus makes it easier to spot any problems (distortion, breakage or moisture absorption). Before each use, make a through check on good condition and correct operation of wear parts and safety elements:

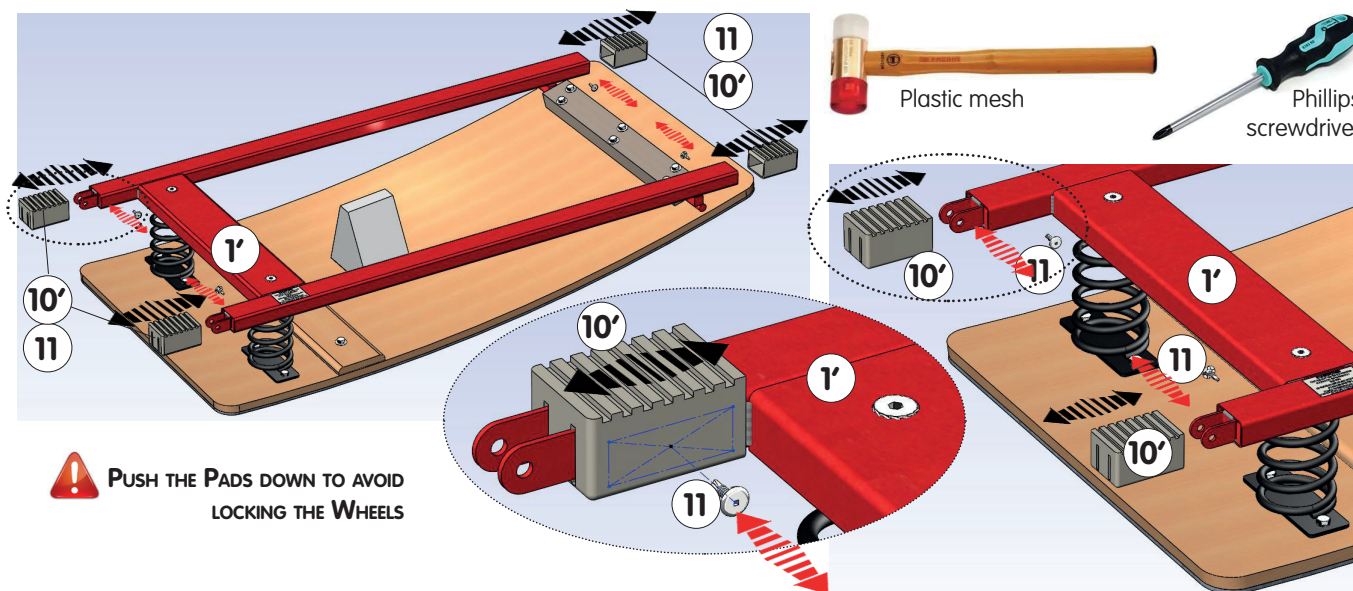
- Check the condition of pads (10') and wheels (2), (6) or (24).
- Check the condition of springs (17'), wooden tray (12'), baseboard (13'), foam block (16) and wooden hinge (21').
- Check the tightening of all fixings (4), (5), (8), (9), (11), (18), (19) and (22).
- If a problem is detected or suspected, do not use the equipment as long as it has not been checked by a technician.
- Any damaged or distorted component should be replaced as quickly as possible.

II. Assembly of spare parts Kits: Create a clean area for mounting.

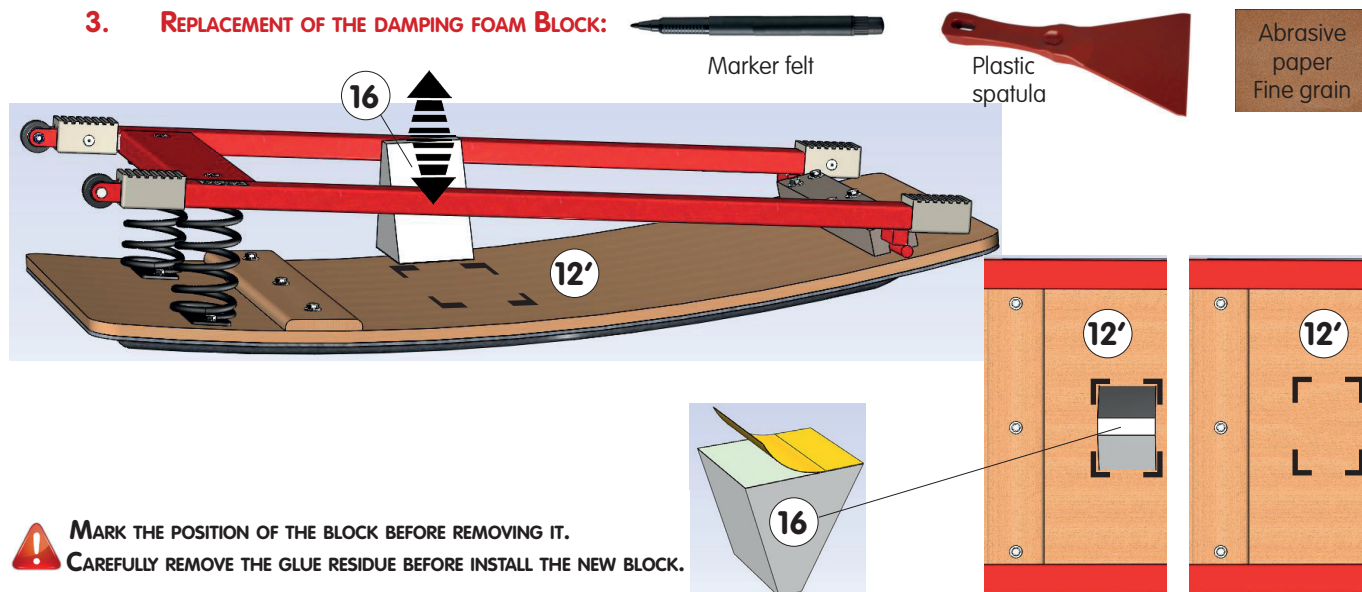
1. REPLACEMENT OF MOVING WHEELS:



2. REPLACEMENT OF ANTI-SLIP PADS:



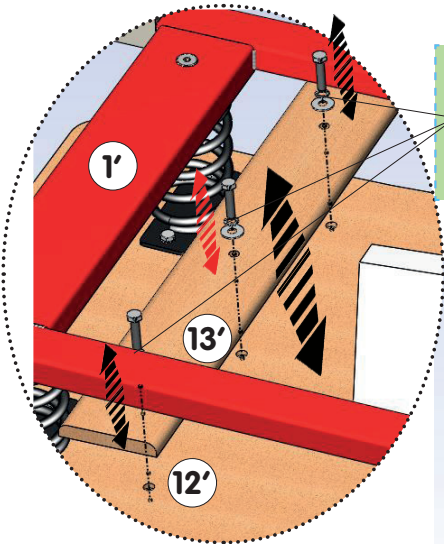
3. REPLACEMENT OF THE DAMPING FOAM BLOCK:



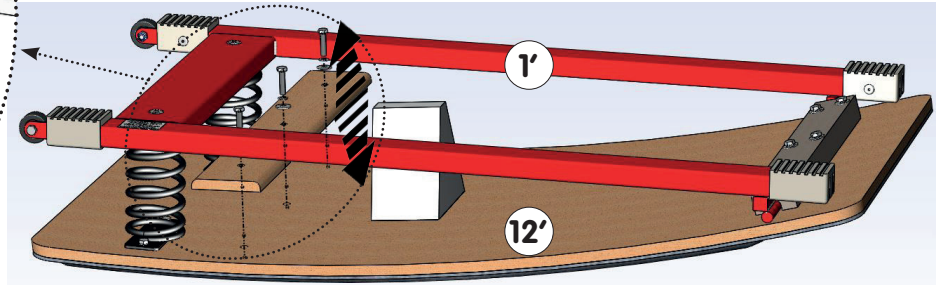
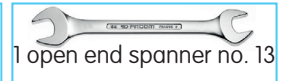
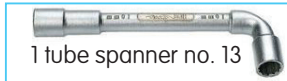
4. REPLACEMENT OF THE BASEBOARD:



PLACE ONE POINT OF THREAD BRAKE AT THE END OF EACH SCREW BEFORE TIGHTENING



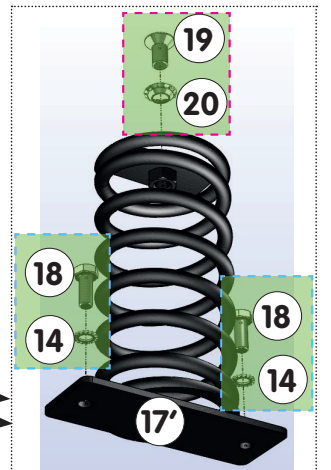
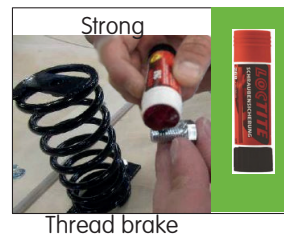
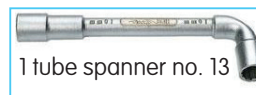
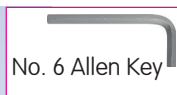
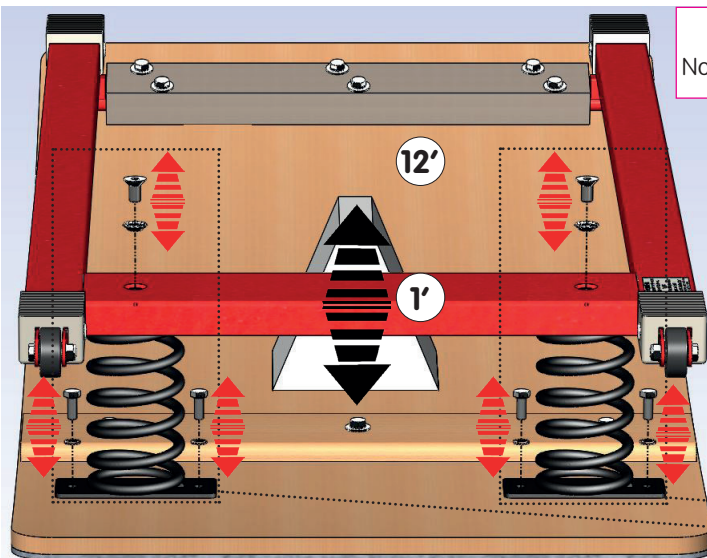
- 4
- 14
- 15



5. REPLACEMENT OF THE PAIR OF SPRINGS:



PLACE ONE POINT OF THREAD BRAKE AT THE END OF EACH SCREW BEFORE TIGHTENING



6. REPLACEMENT OF THE WOODEN HINGE:

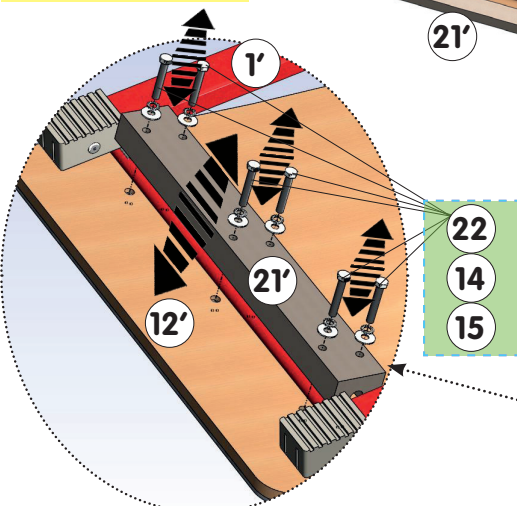
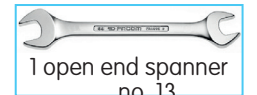
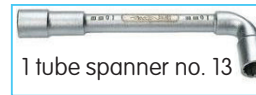
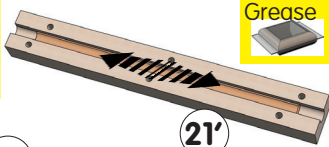


PLACE ONE POINT OF THREAD BRAKE AT THE END OF EACH SCREW BEFORE TIGHTENING

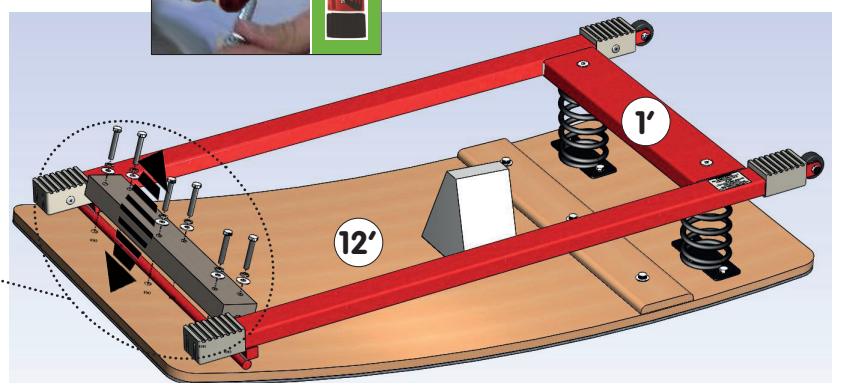


LIGHTLY GREASE THE CENTRAL GROOVE

Grease



- 22
- 14
- 15



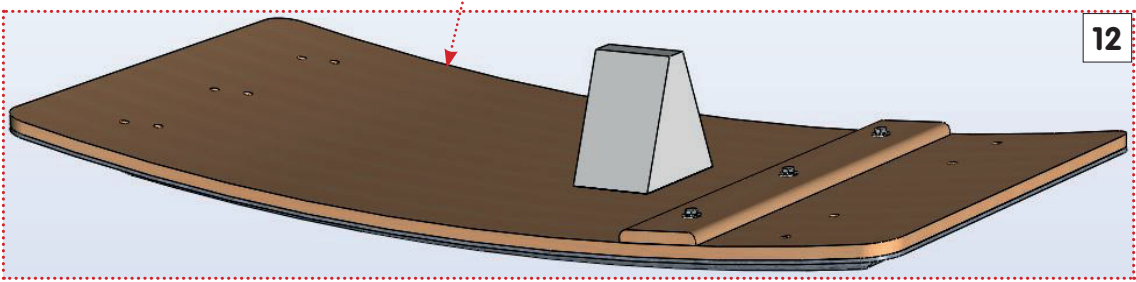
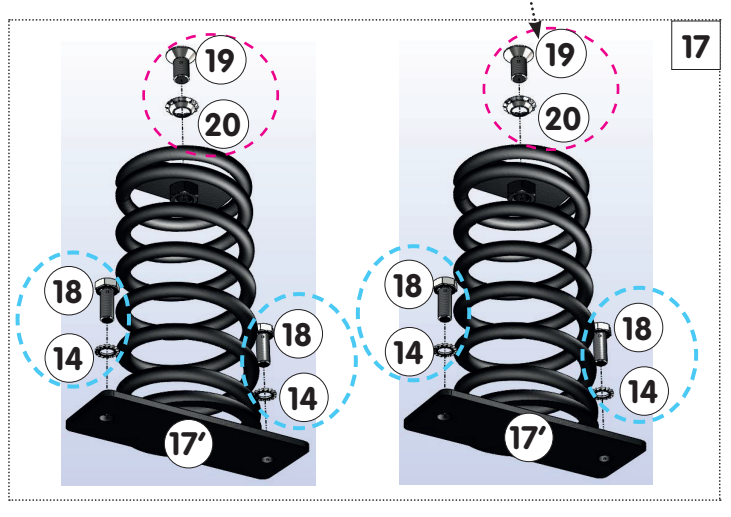
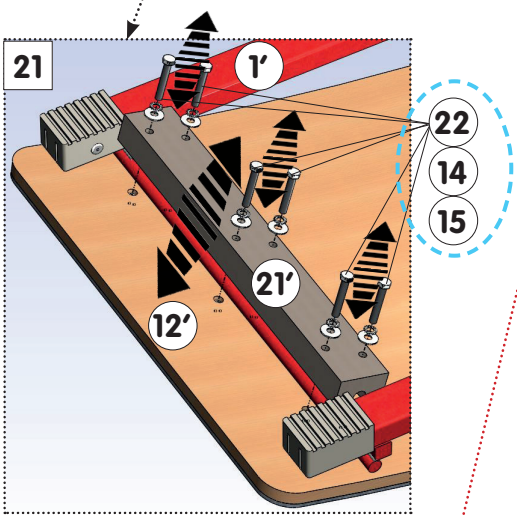
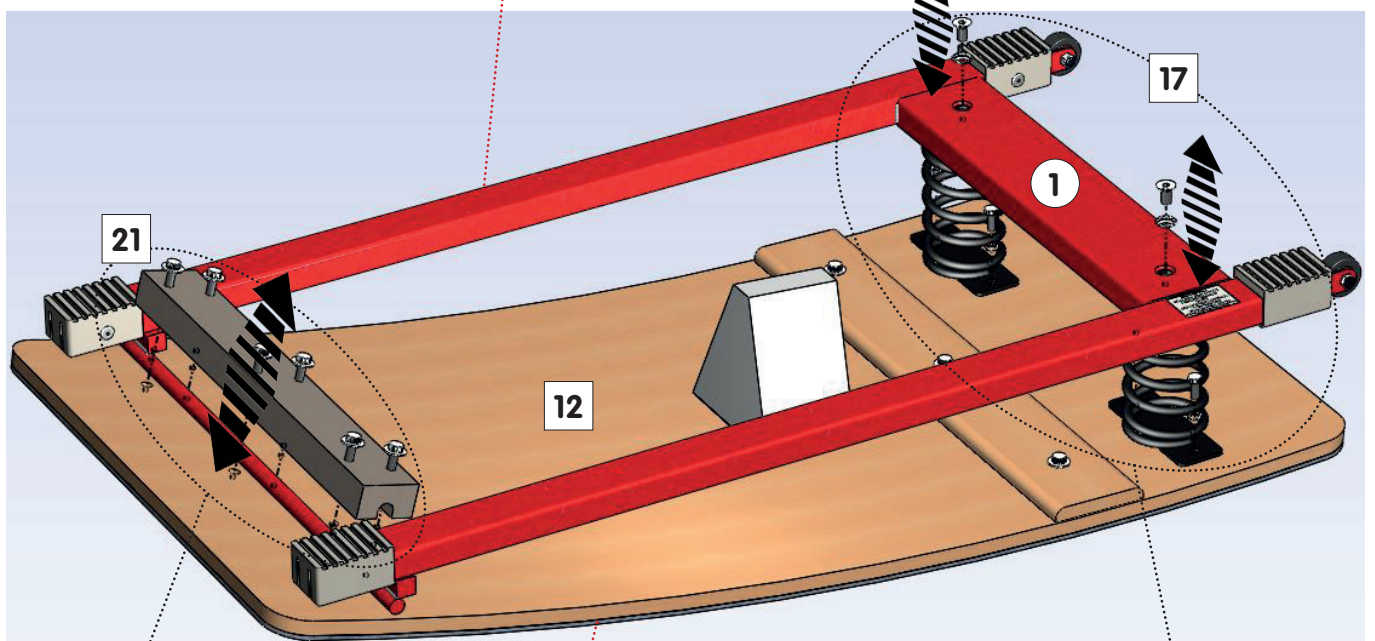
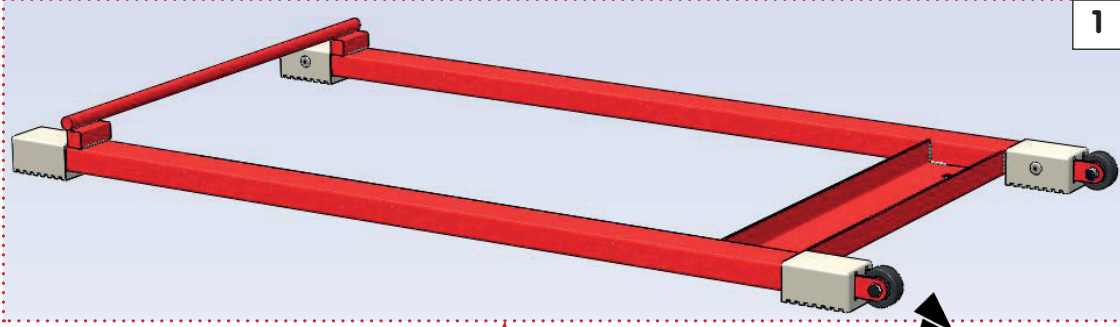
7. CHANGING THE FULL TRAY AND THE COMPLETE FRAME:

No. 6 Allen Key

1 tube spanner no. 13

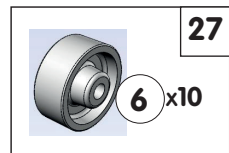
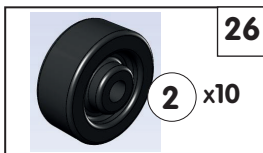
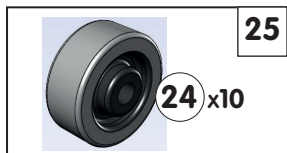
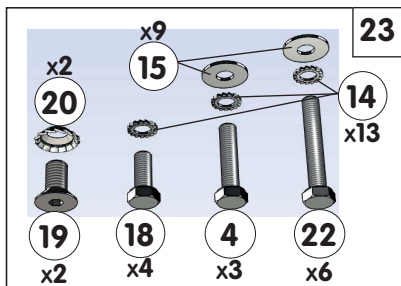
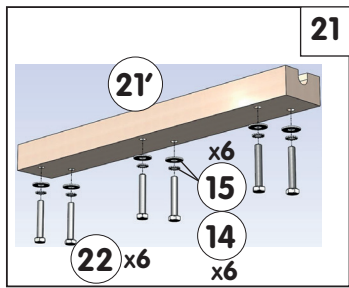
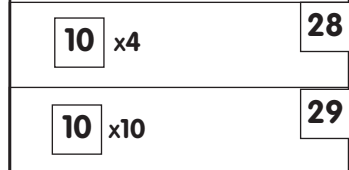
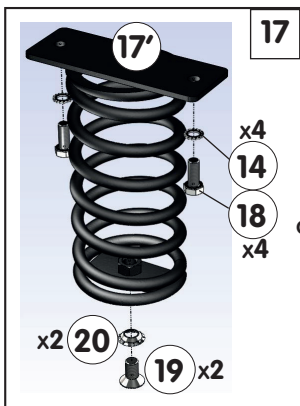
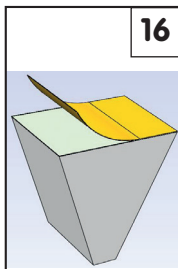
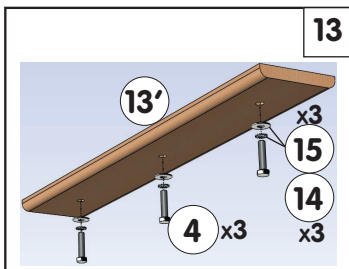
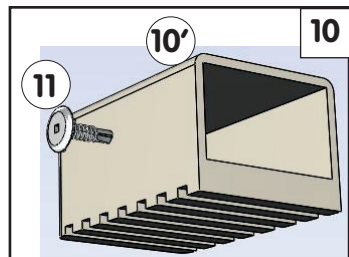
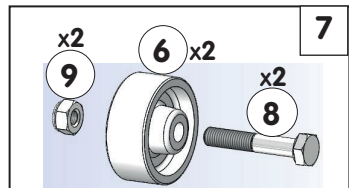
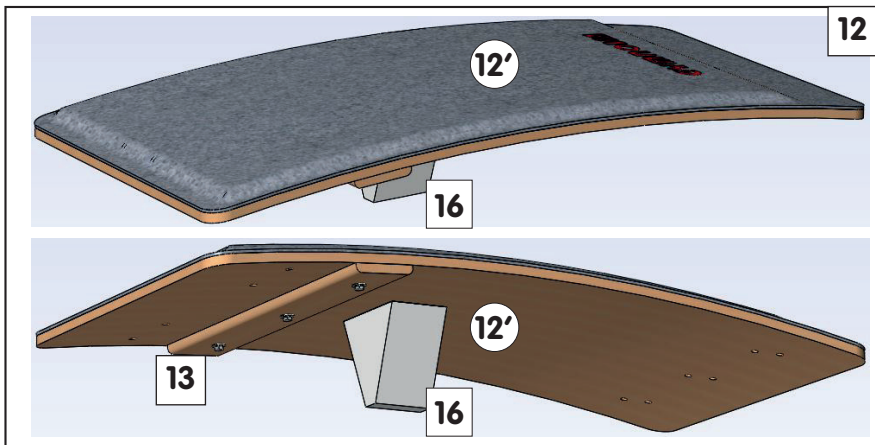
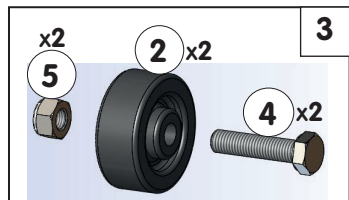
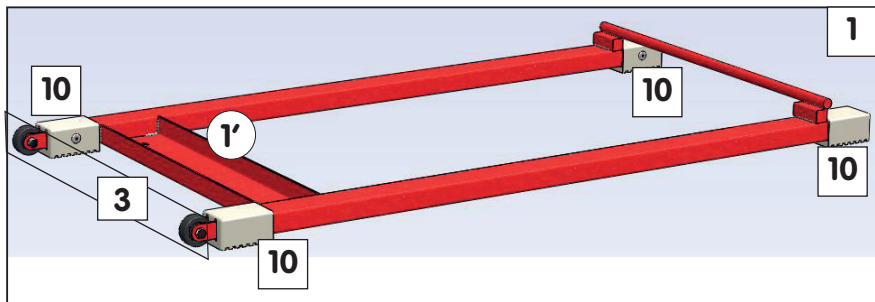
1 open end spanner no. 13

1



III. Storage:

Store material in a clean, dry place, away from moisture and heat. Do not store anything heavy, protruding or otherwise on the tray.



| | | | | |
|-----|----|--|------------|-------------------------------|
| 29 | - | Set of 10 Springboards Pads + Screws | 0014/44 | Springboards-Mini appar. |
| 28 | 1 | Set of 4 Springboards Pads + Screws | 0014/43 | Springboards-Mini appar. |
| 27 | - | Set of 10 White wheels diam. 3.5cm | 0014/45 | Springboards-Trampettes |
| 26 | - | Set of 10 Black wheels diam. 4cm | 0014/46 | Springboards-Trampettes |
| 25 | - | Set 10 Grey wheels d. 4cm - w-s Floors | 0014/47 | Springboards-Trampettes |
| 24 | - | Grey wheel diameter 4cm - wear-sensitive Floor | QROU4208GR | Unit - Option |
| 23 | 1 | Set of screws for Training Springboard | 2190/10 | 2190B |
| 22 | 6 | Zinc plated Hexagonal head M8 x 50 screw | - | Included in 21 & 23 |
| 21' | 1 | Wooden Hinge only Standard Springboards | - | 0014C - 2130B - 2150B - 2190B |
| 21 | 1 | Hinge + Screws Standard Springboards | 0014/42 | 0014C - 2130B - 2150B - 2190B |
| 20 | 2 | Zinc plated M10 conical fan washer | - | Included in 17 & 23 |
| 19 | 2 | Zinc plated Countersunk head HH M10 x 20 screw | - | Included in 17 & 23 |
| 18 | 4 | Zinc plated Hexagonal head M8 x 20 screw | - | Included in 17 & 23 |
| 17' | 2 | Spring of Training Springboard | - | Included in 17 |
| 17 | 1 | Pair of Springs + Screws Training Springboard | 219/03 | 2190B |
| 16 | 1 | Trapezoidal foam block adhesive | 2190/08 | 2130B - 2150B - 2190B |
| 15 | 9 | Zinc Plated d8 x 22 flat washer | - | Included / 13, 21 & 23 |
| 14 | 13 | Zinc Plated d8 x 14 break washer | - | Includ. / 13, 17, 21 & 23 |
| 13' | 1 | Baseboard only of Training tray. | - | Included / 12 & 13 |
| 13 | 1 | Baseboard + screws of Training tray. | 2190/05 | Included in 12 |
| 12' | 1 | Dressed tray of Training Springboard | - | Included in 12 |
| 12 | 1 | Full tray of Training Springboard | 219/02 | 2190B |
| 11 | 4 | Flat head self-drilling screw d4.8 x 19 | - | Included in 10 |
| 10' | 4 | Springboards Pad only (Tubes 5 x 3cm) | - | Included in 10 |
| 10 | 4 | Springboards Pad + Screw (Tubes 5 x 3cm) | 0014/05 | Unit - Includ / 1, 28, 29 |
| 9 | - | Zinc plated Hexagonal M6 break nut | - | Included in 7 |
| 8 | - | Zinc plated Hexagonal head M6 x 35 screw | - | Included in 7 |
| 7 | - | Pair of White wheels + Axis | 5000/32 | Springboards-Trampettes |
| 6 | - | White wheel diameter 3.5cm (Axis 6mm) | 385/06 | Unit - Old version |
| 5 | 2 | Zinc plated Hexagonal M8 break nut | - | Included in 1, 3 & 23 |
| 4 | 5 | Zinc plated Hexagonal head M8 x 35 screw | - | Included / 1, 3, 13 & 23 |
| 3 | 1 | Pair of Black wheels + Axis | 5090/32 | Springboards-Trampettes |
| 2 | 2 | Black wheel diameter 4cm (Axis 8mm) | QROU4208NO | Unit - Included in 1 |
| 1' | 1 | Standard Hardened Steel Frame | - | Included in 1 |
| 1 | 1 | Complete frame Standard Springboards | 0014/01 | 0014C - 2130B - 2150B - 2190B |

SPARE PARTS & MAINTENANCE KITS TRAINING SPRINGBOARD - 23 CM

To order spare parts, please provide the description, reference and delivery date of the entire apparatus.

Constantly aiming to improve our products, we reserve the right to make changes to the equipment and dimensions without further discussion.

This document is the propriety of Gymnova, it is confidential and shall not be reproduced.