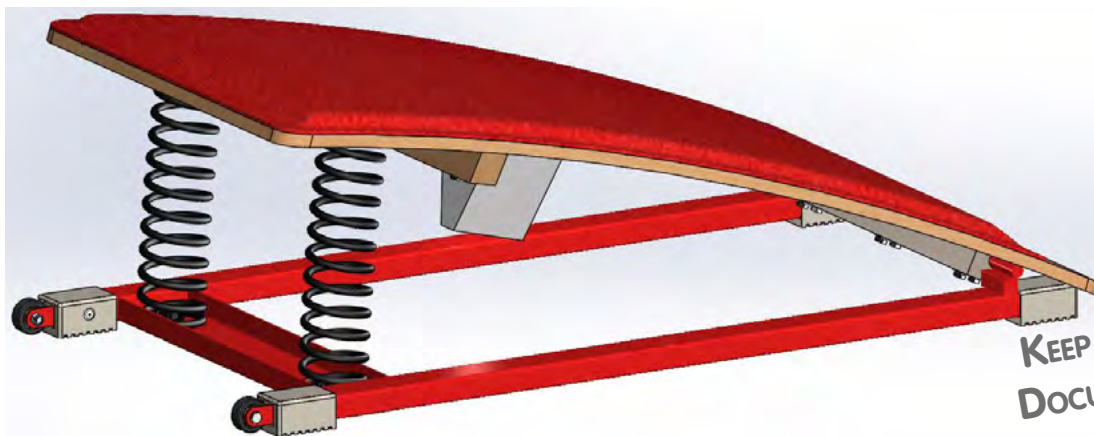


### DOUBLE SPRINGBOARD - 40 CM

2130B



KEEP THIS DOCUMENT

#### Warning:

This equipment should be installed by a qualified individual. This equipment should only be used by one person at a time, under the supervision of a qualified individual.

Using this equipment for purposes other than those originally intended is prohibited.

#### Recommendations:

- Keep these instructions for subsequent reference (inspection, maintenance, etc.).
- Periodically carry out predictive maintenance.
- Depending on how much it is used have the equipment serviced yearly or every few years.

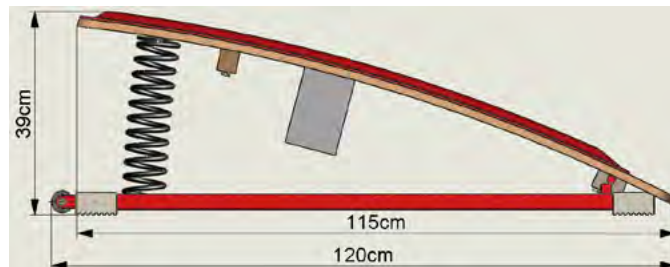
#### Pack list and bulkiness of the springboard:

- 1 Pack (Ref. 2130B) - Weight : 26.2Kg - Dim.: 1.34 x 0,61 x 0,27m - Vol. : 0,22 m3

Top view



Side view



#### Tools required:

- No. 6 Allen Key
- Plastic mesh
- Phillips screwdriver
- 1 open end spanner no 13
- 1 tube spanner no. 13
- 1 open end spanner no 10
- 1 tube spanner no. 10
- Marker felt
- Plastic spatula
- Abrasive paper Fine grain

#### I. General maintenance:



##### IMPORTANT :

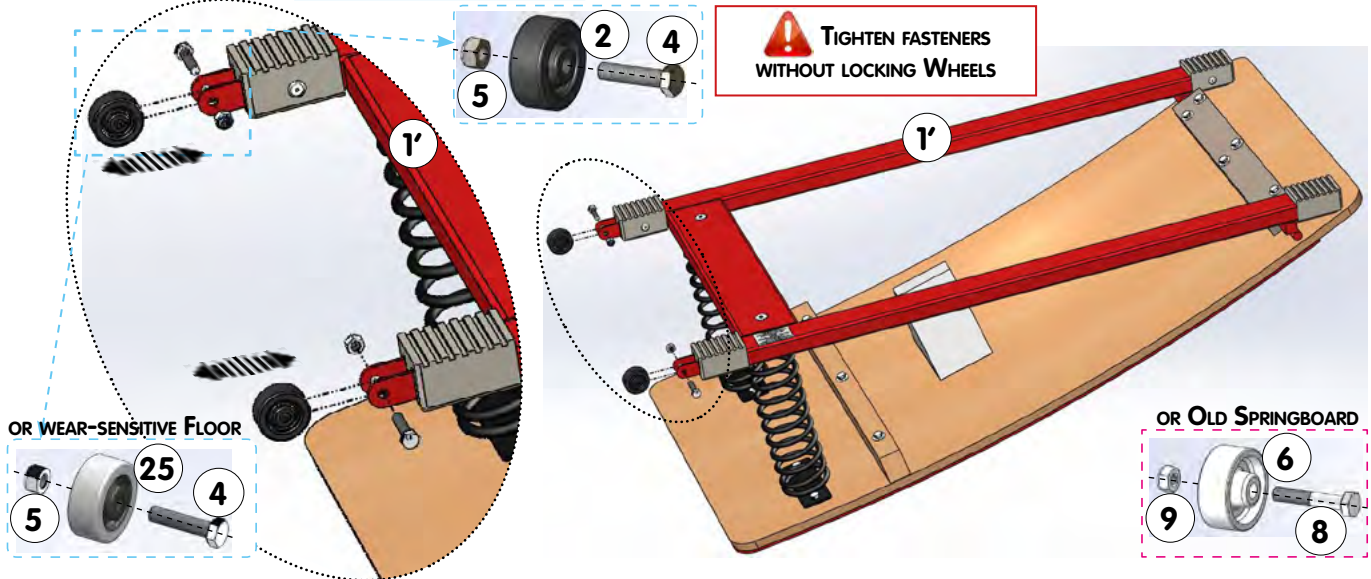
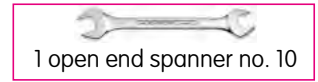
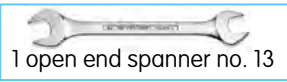
Regular cleaning of the apparatus makes it easier to spot any problems (distortion, breakage or moisture absorption). Before each use, make a through check on good condition and correct operation of wear parts and safety elements:

- Check the condition of pads (10\*) and wheels (2), (6) or (25).
- Check the condition of springs (18\*), wooden tray (12\*), wooden batten (13\*), foam block (17) and wooden hinge (22\*).
- Check the tightening of all fixings (4), (5), (8), (9), (11), (14), (19), (20) and (23).
- If a problem is detected or suspected, do not use the equipment as long as it has not been checked by a technician.
- Any damaged or distorted component should be replaced as quickly as possible.

II. **Pair of Springs assembly** : see instructions § III. 5. Page 3.

III. **Assembly of spare parts Kits**: Create a clean area for mounting.

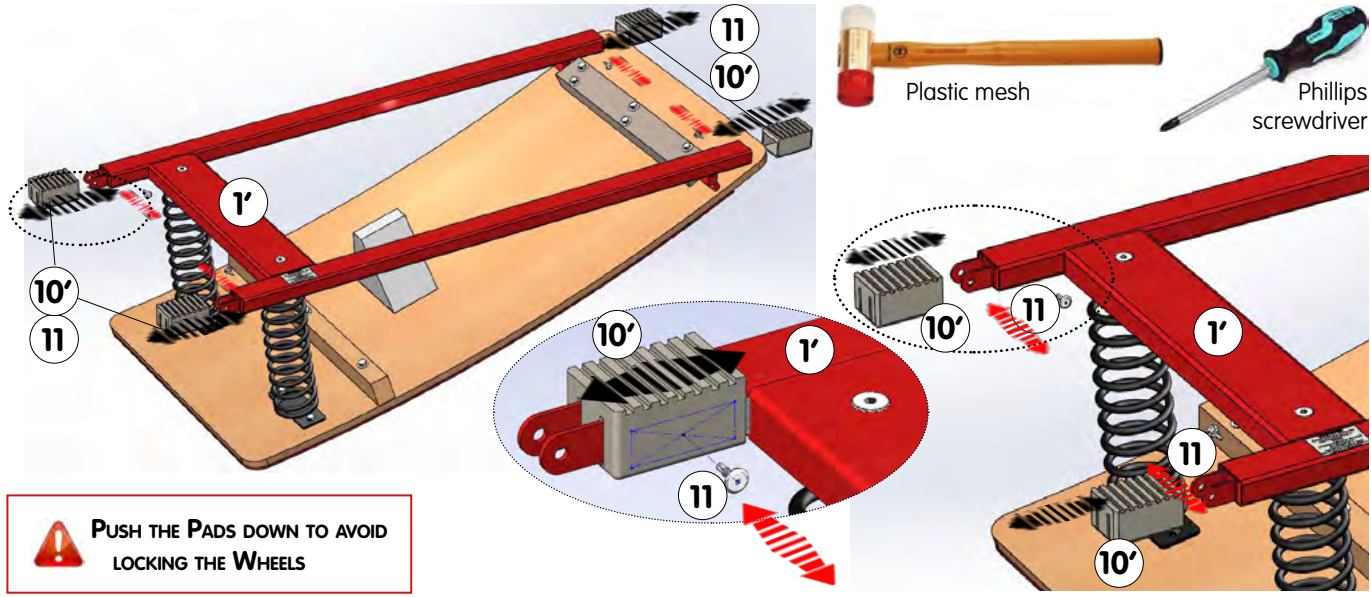
**1. REPLACEMENT OF MOVING WHEELS:**



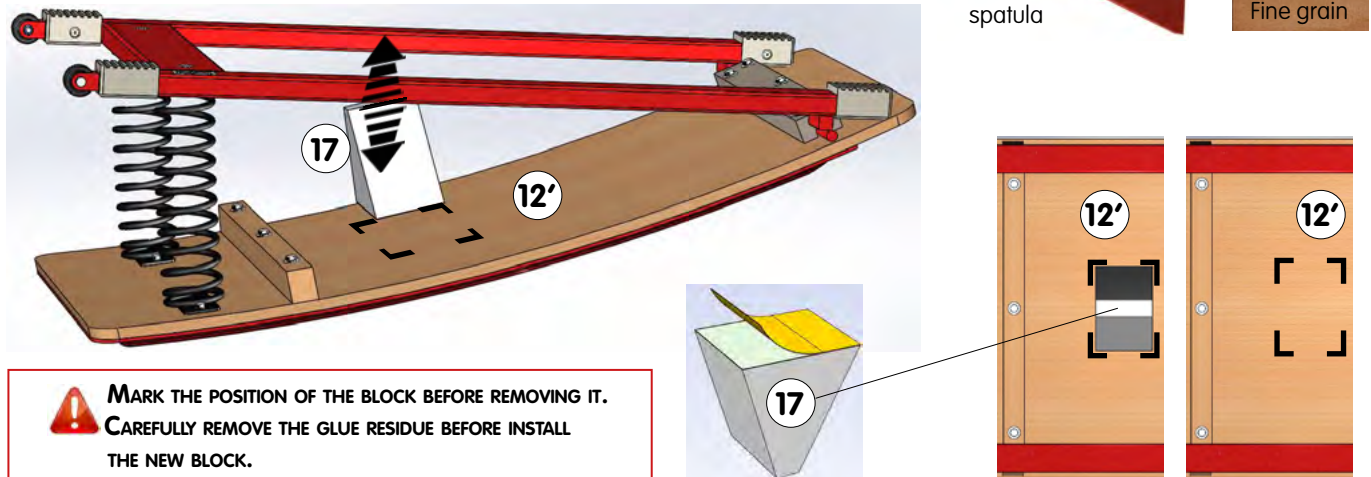
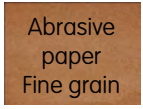
**TIGHTEN FASTENERS WITHOUT LOCKING WHEELS**



**2. REPLACEMENT OF ANTI-SLIP PADS:**



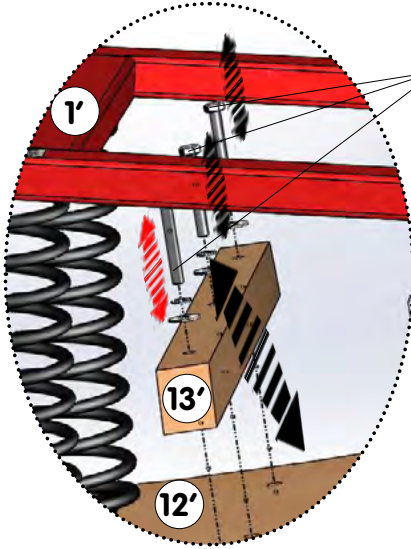
**3. REPLACEMENT OF THE DAMPING FOAM BLOCK:**



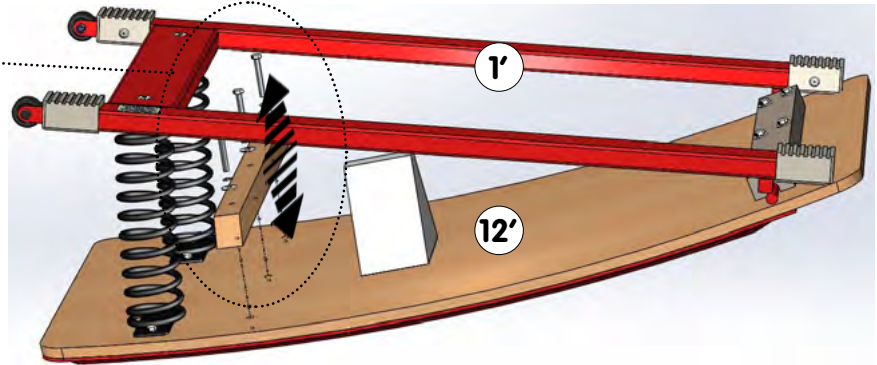


**4. REPLACEMENT OF THE WOODEN BATTEN:**

**PLACE ONE POINT OF THREAD BRAKE AT THE END OF EACH SCREW BEFORE TIGHTENING**

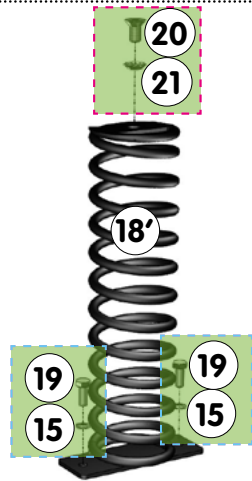
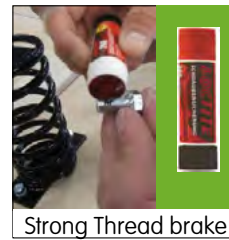
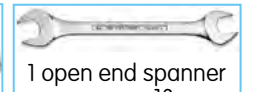
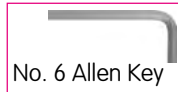
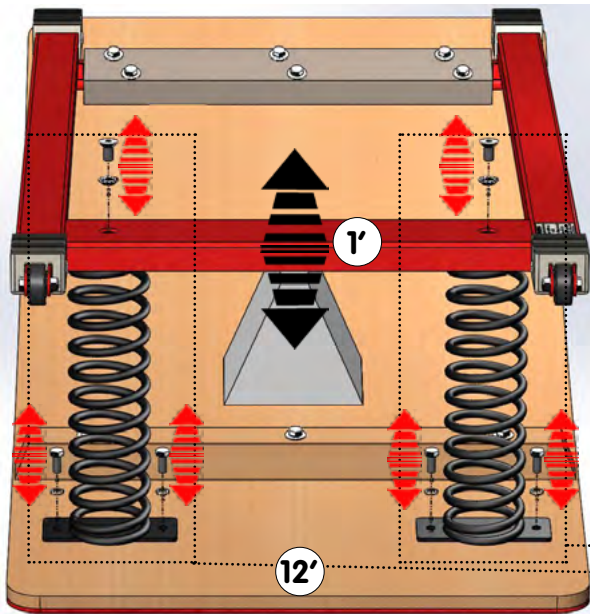


14  
15  
16



**5. ASSEMBLY AND REPLACEMENT OF THE PAIR OF SPRINGS:**

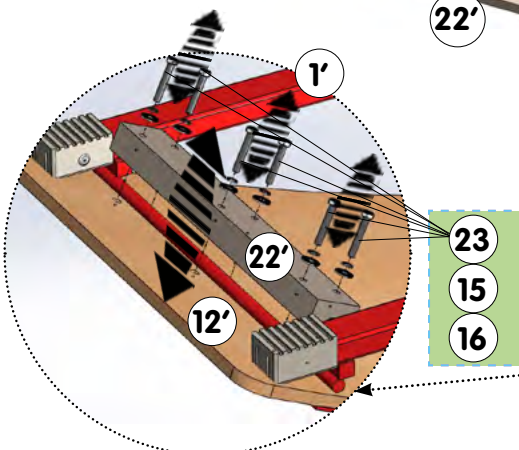
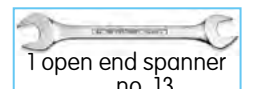
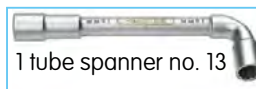
**PLACE ONE POINT OF THREAD BRAKE AT THE END OF EACH SCREW BEFORE TIGHTENING**



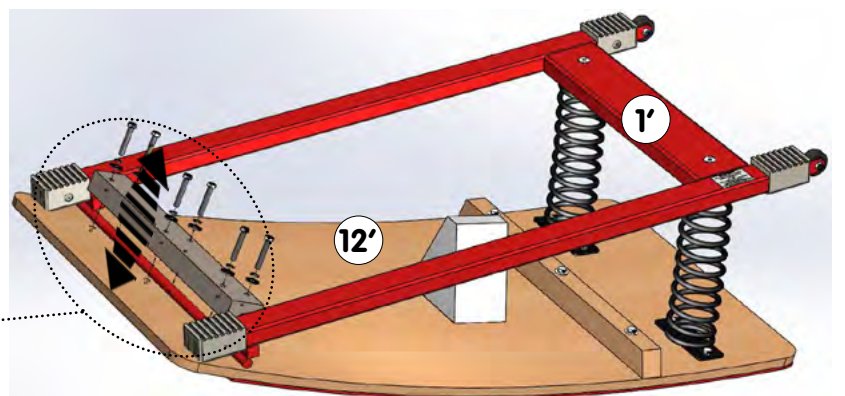
**6. REPLACEMENT OF THE WOODEN HINGE:**

**PLACE ONE POINT OF THREAD BRAKE AT THE END OF EACH SCREW BEFORE TIGHTENING**

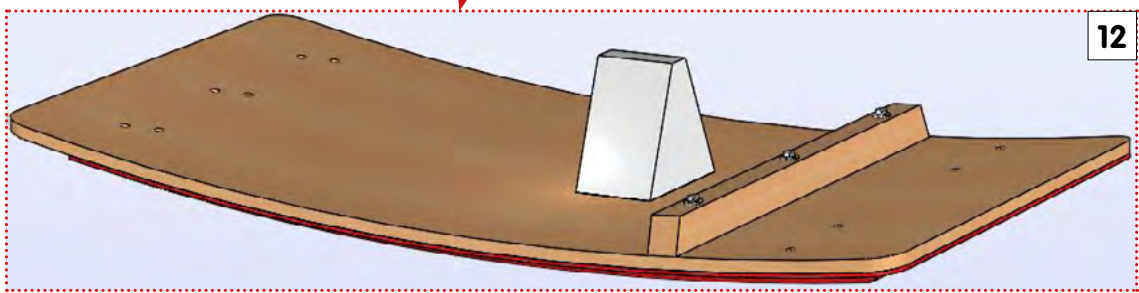
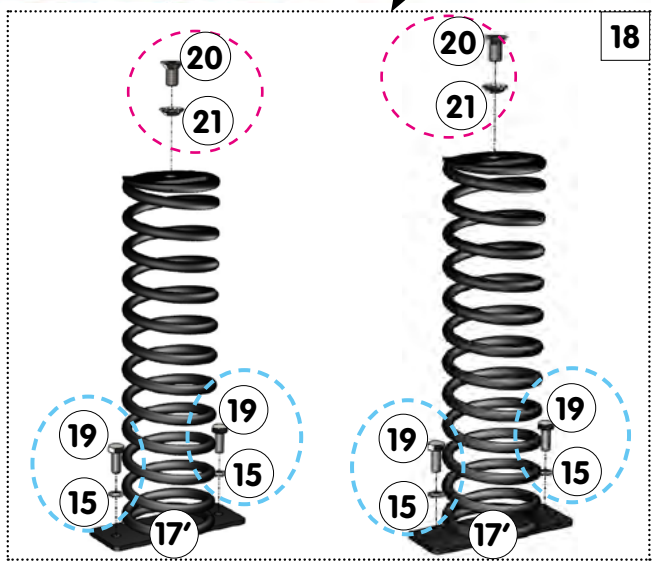
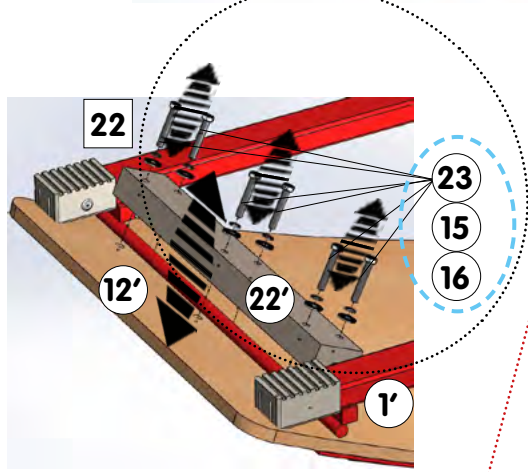
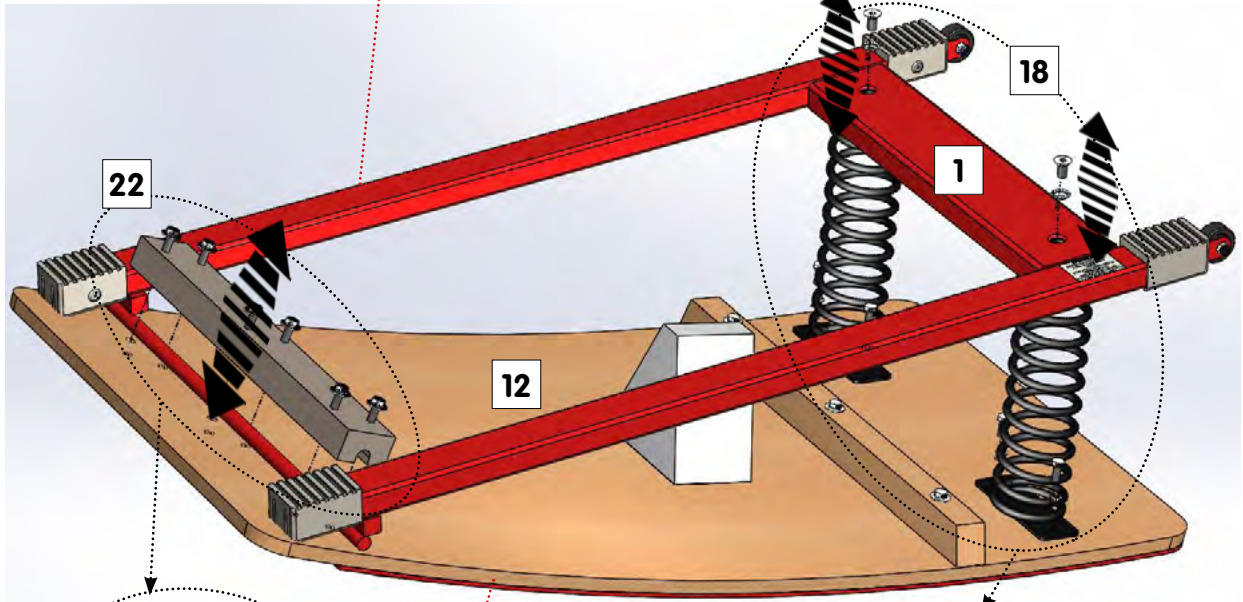
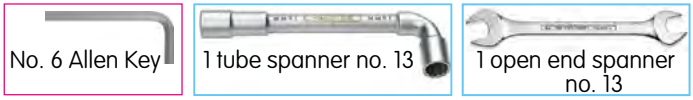
**LIGHTLY GREASE THE CENTRAL GROOVE**



23  
15  
16



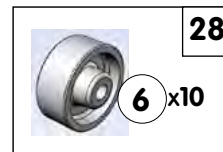
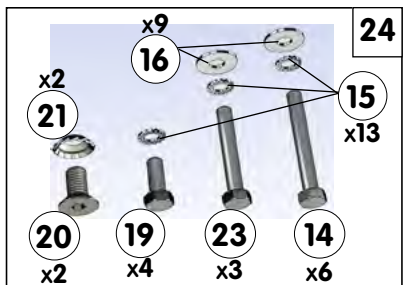
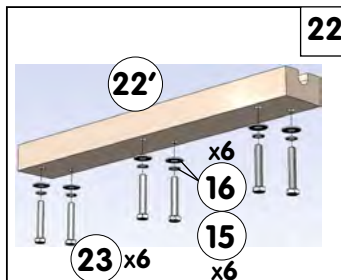
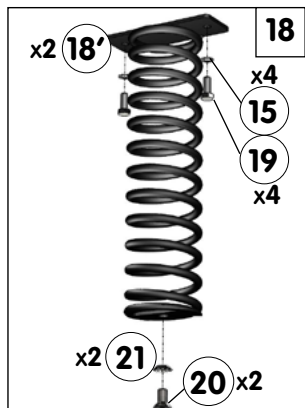
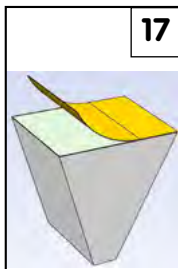
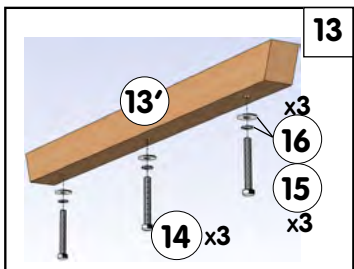
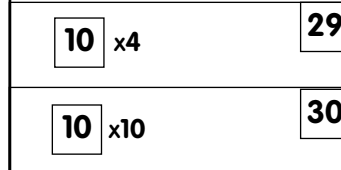
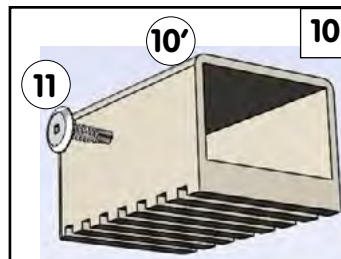
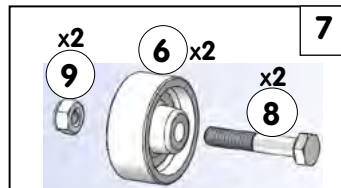
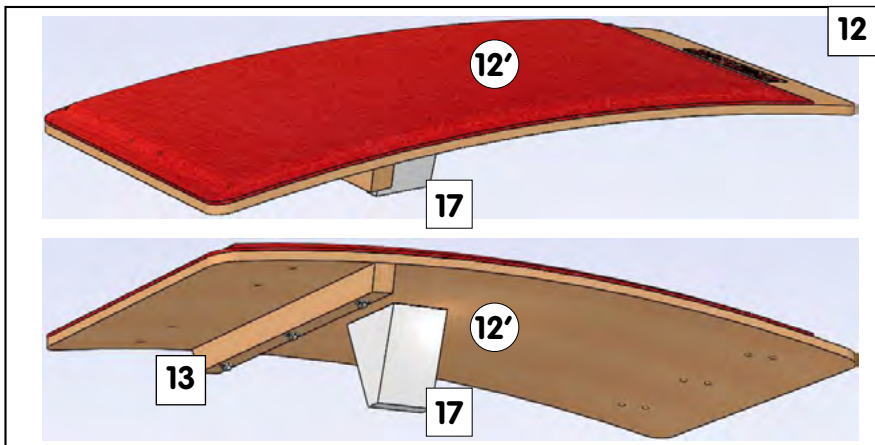
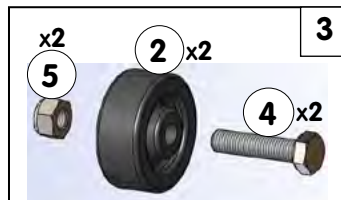
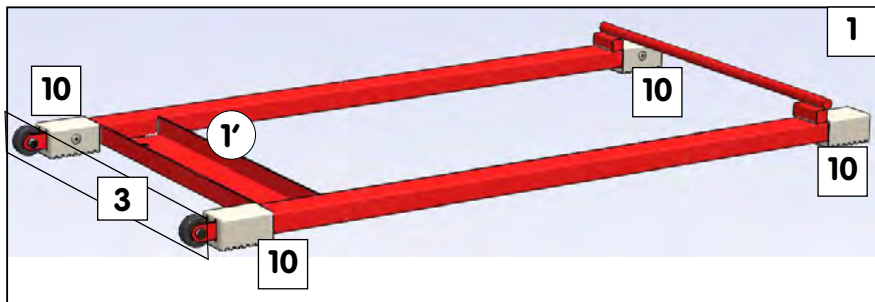
**7. CHANGING THE FULL TRAY AND THE COMPLETE FRAME:**



**IV. Storage:**

Store material in a clean, dry place, away from moisture and heat. Do not store anything heavy, protruding or otherwise on the tray.





30	-	Set of 10 Springboards Pads + Screws	0014/44	Springboards-Mini appar.
29	1	Set of 4 Springboards Pads + Screws	0014/43	Springboards-Mini appar.
28	-	Set of 10 White wheels diam. 3.5cm	0014/45	Springboards-Trampettes
27	-	Set of 10 Black wheels diam. 4cm	0014/46	Springboards-Trampettes
26	-	Set 10 Grey wheels d. 4cm - w-s Floors	0014/47	Springboards-Trampettes
25	-	Grey wheel diameter 4cm - wear-sensitive Floor	QROU4208GR	Unit - Option
24	1	Set of screws for Standard Springboards	0014/40	0014C - 2130B - 2150B
23	6	Zinc plated Hexagonal head M8 x 50 screw	-	Included in 22 & 24
22'	1	Wooden Hinge only Standard Springboards	-	0014C - 2130B - 2150B - 2190B
22	1	Hinge + Screws Standard Springboards	0014/42	0014C - 2130B - 2150B - 2190B
21	2	Zinc plated M10 conical fan washer	-	Included in 18 & 24
20	2	Zinc plated Countersunk head HH M10 x 20 screw	-	Included in 18 & 24
19	4	Zinc plated Hexagonal head M8 x 20 screw	-	Included in 18 & 24
18'	2	Spring of double Springboard	-	Included in 18
18	1	Pair Springs + Screws double Springboard	213/03	2130B
17	1	Trapezoidal foam block adhesive	2190/08	2130B - 2150B - 2190B
16	9	Zinc Plated d8 x 22 flat washer	-	Included / 13, 22 & 24
15	13	Zinc Plated d8 x 14 break washer	-	Includ. / 13, 18, 22 & 24
14	3	Zinc plated Hexagonal head M8 x 60 screw	-	Included in 12 & 13
13'	1	Wooden batten only of double & HE tray.	-	Included in 12 & 13
13	1	Batten + screws of double & HE tray.	0014/41	Included in 12
12'	1	Dressed tray of double & HE Springboard	-	Included in 12
12	1	Full tray of double & HE Springboard	213/02	2130B & 2150B
11	4	Flat head self-drilling screw d4.8 x 19	-	Included in 10
10'	4	Springboards Pad only (Tubes 5 x 3cm)	-	Included in 10
10	4	Springboards Pad + Screw (Tubes 5 x 3cm)	0014/05	Unit - Includ / 1, 29, 30
9	-	Zinc plated Hexagonal M6 break nut	-	Included in 7
8	-	Zinc plated Hexagonal head M6 x 35 screw	-	Included in 7
7	-	Pair of White wheels + Axis	5000/32	Springboards-Trampettes
6	-	White wheel diameter 3.5cm (Axis 6mm)	385/06	Unit - Old version
5	2	Zinc plated Hexagonal M8 break nut	-	Included in 1 & 3
4	2	Zinc plated Hexagonal head M8 x 35 screw	-	Included in 1 & 3
3	1	Pair of Black wheels + Axis	5090/32	Springboards-Trampettes
2	2	Black wheel diameter 4cm (Axis 8mm)	QROU4208NO	Unit - Included in 1
1'	1	Standard Hardened Steel Frame	-	Included in 1
1	1	Complete frame Standard Springboards	0014/01	0014C - 2130B - 2150B - 2190B

ITEM	QTY	DESCRIPTION	REFERENCE	REMARKS
------	-----	-------------	-----------	---------

## SPARE PARTS & MAINTENANCE KITS DOUBLE SPRINGBOARD - 40 CM

To order spare parts, please provide the description, reference and delivery date of the entire apparatus.

Constantly aiming to improve our products, we reserve the right to make changes to the equipment and dimensions without further discussion.

This document is the propriety of Gymnova, it is confidential and shall not be reproduced.