

**ACCESS AND SPOTTING PLATFORM FOR
ASYMMETRIC AND HIGH BARS**

**2705
EX/2705**

1. Attachment principle:

The 4 floor fasteners are made with ATP collars anchors and a bedding resin.

2. Permissible support frames:

These technical specifications apply to fixations realized in sturdy concrete supports of a thickness ≥ 125 mm with a resistance to compression ≥ 23 MPa. For fixing on the edge, the minimum edge distance is 85 mm, for each fixation.

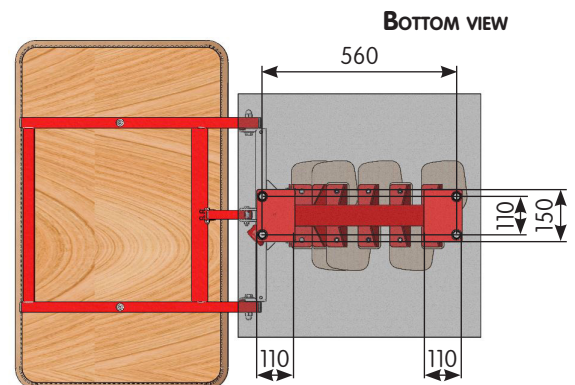
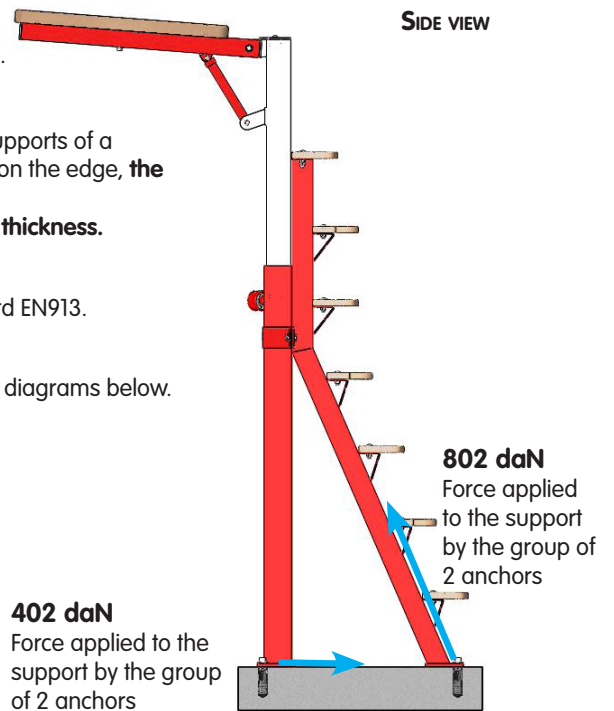
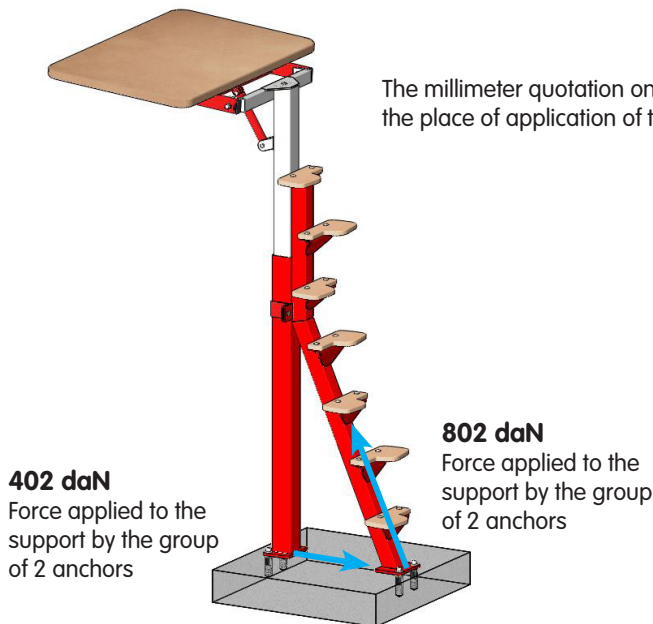
Please contact us for thin slabs ranging between 100 mm and 125 mm in thickness.

3. Loads applied to the support frame during use:

IMPORTANT! The loads shown in the figures are determined from the standard EN913.

4. Positioning, usage, and maintenance:

Refer to the gymnasium layout drawings, assembly instructions **NM305** and diagrams below.



5. Design of structures:

Specific requirements for backgrounds (section 6 in standard NF 552-400):

«The background should be appropriate for receiving attachment points and absorbing loads transmitted by sports equipment.

Attachment points should not adversely affect the background soundness (water-tightness solidity, etc.).

Only the owner and/or contractor for the background is entitled to allow the attachment points to be fixed and tests to be carried out according to their type and the loads transmitted.

The owner and/or contractor shall entrust the design, sizing and fixing of the following to a professionally qualified body (carpenter, architect, building contractor, design office, etc.):

- Attachment point supports;
- Foundation blocks;
- Possible additional stiffeners for the supporting structure.

The sports equipment manufacturer shall provide the background owner and/or contractor with the following: the loads and stresses of attachment points taken by the background as regards strength values, types and specifications of the proposed attachments.

It is up to the contractor to make the background appropriate for the attachment points in accordance with their locations and the loads provided by the sports equipment manufacturer».

NATURE OF THE SUPPORT:	Owner and/or contractor attachment authorized:
Material: Dimensions: Covering: <input type="checkbox"/> YES <input type="checkbox"/> NO Covering type: Covering thickness (mm):	Date: Name: Post: Stamp: Signature :

The equipment will be installed by our technicians when this document is returned, duly signed, to our offices.