

**PARALLEL BARS ON FIXED SUPPORT
AT EDGE OF THE LANDING PIT**

**3930A
(3800/60)**

1. Attachment principle:

All fixations on the floor are carried out with ATP collars anchors and a bedding resin.

2. Permissible support frames:

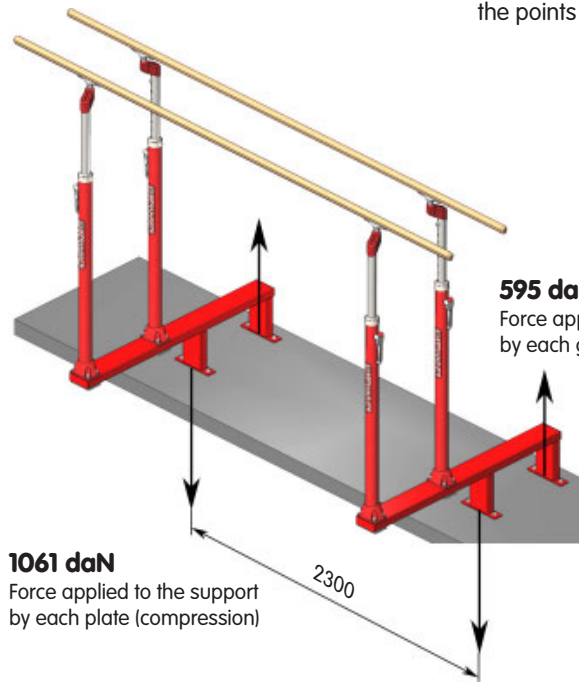
This specification applies to fixations in sound concrete of a **thickness \geq than 125 mm with a compression strength \geq 23 MPa. Please contact us for thin slabs ranging between 100 mm and 125 mm in thickness.**

3. Loads applied to the support frame during use:

IMPORTANT: The forces indicated on the drawing are determined from the values of the norm EN 913.

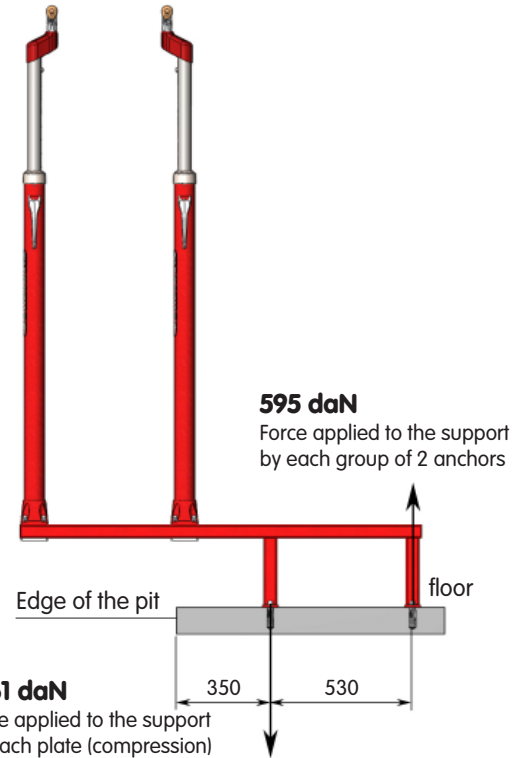
The millimetric quotation only define the points of the applicated forces.

Side view



1061 daN
Force applied to the support
by each plate (compression)

595 daN
Force applied to the support
by each group of 2 anchors



1061 daN
Force applied to the support
by each plate (compression)

595 daN
Force applied to the support
by each group of 2 anchors

4. Positioning, usage, and maintenance:

Refer to the gymnasium layout drawings, and drawings above.

5. Design of structures:

Specific requirement for the background (section 6 in standard NF S52-400):

"The background should be appropriate for receiving attachment points and absorbing loads transmitted by sports equipment.

Attachment points should not adversely affect the background soundness (watertightness, solidity, etc.).

Only the owner and/or contractor for the background is entitled to allow the attachment points to be fixed and tests to be carried out according to their type and the loads transmitted.

The owner and/or contractor shall entrust the design, sizing and fixing of the following to a professionally qualified body (carpenter, architect, building contractor, design office, etc.):

- attachment point supports;
- foundation blocks;
- possible additional stiffeners for the supporting structure.

The sports equipment manufacturer shall provide the background owner and/or contractor with the following: the loads and stresses of attachment points taken by the background as regards strength values, types and specifications of the proposed attachments.

It is up to the contractor to make the background appropriate for the attachment points in accordance with their locations and the loads provided by the sports equipment manufacturer".

NATURE OF THE SUPPORT:

Material:

Covering: YES NO

Covering type:

Covering thickness (mm):

Owner and/or contractor attachment authorized:

Date:

Name:

Post:

Stamp:

Signature:

The equipment will be installed by our technicians when this document is returned, duly signed, to our offices.