

**FOLDING PARALLEL BARS
EDGE OF THE LANDING PIT**

3931E

1. Attachment principle:

All fixations on the floor are carried out with ATP socket anchor bolts with fixing resin.

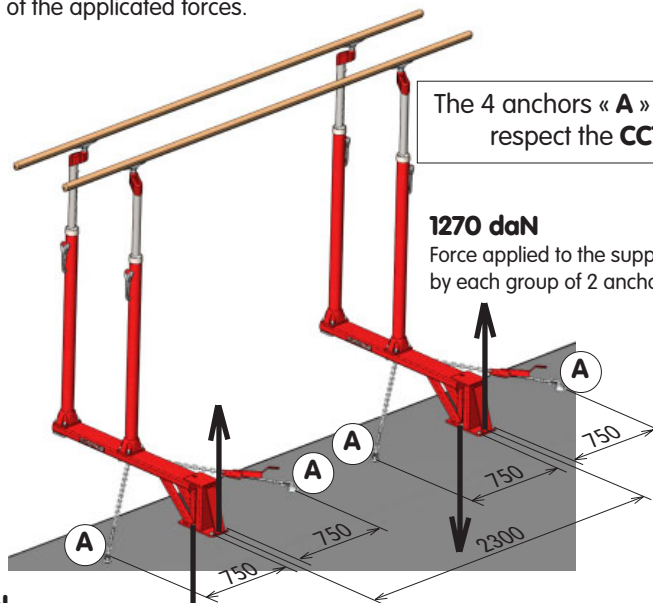
2. Permissible support frames:

These technical specifications apply only to fixations realized in sturdy concrete supports of a **thickness of ≥ 125 mm with a resistance to compression of ≥ 23 MPa. For thin concrete foundation slab with a thickness between 100mm to 125mm, contact us.**

3. Loads applied to the support frame during use:

IMPORTANT: The forces indicated on the drawing are determined from the values of the norm EN 913.

The millimetric quotation only define the points of the applicated forces.

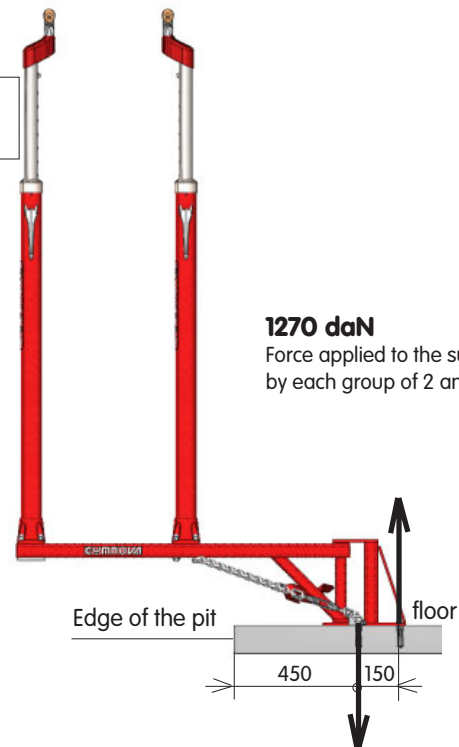


1736 daN
Force applied to the support by each plate (compression)

The 4 anchors « A » have to respect the **CC77**.

1270 daN
Force applied to the support by each group of 2 anchors

Side view



1270 daN
Force applied to the support by each group of 2 anchors

1736daN
Force applied to the support by each plate (compression)

4. Positioning, usage, and maintenance:

Refer to the gymnasium layout drawings, and drawings above.

5. Design of structures:

Specific requirement for the background (section 6 in standard NF 552-400):

"The background should be appropriate for receiving attachment points and absorbing loads transmitted by sports equipment.

Attachment points should not adversely affect the background soundness (watertightness, solidity, etc.).

Only the owner and/or contractor for the background is entitled to allow the attachment points to be fixed and tests to be carried out according to their type and the loads transmitted.

The owner and/or contractor shall entrust the design, sizing and fixing of the following to a professionally qualified body (carpenter, architect, building contractor, design office, etc.):

- attachment point supports;
- foundation blocks;
- possible additional stiffeners for the supporting structure.

The sports equipment manufacturer shall provide the background owner and/or contractor with the following: the loads and stresses of attachment points taken by the background as regards strength values, types and specifications of the proposed attachments.

It is up to the contractor to make the background appropriate for the attachment points in accordance with their locations and the loads provided by the sports equipment manufacturer".

NATURE OF THE SUPPORT:

Material:

Covering: YES NO

Covering type:

Covering thickness (mm):

Owner and/or contractor attachment authorized:

Date:

Name:

Post:

Stamp:

Signature:

The equipment will be installed by our technicians when this document is returned, duly signed, to our offices.